

### Annex-I

Sr. No.	Name of Requesting Agency	Element Name	Element Type	Daily/ Continuous	Reason	Requested From Date	Requested From Time	Requested To Date	Requested To Time	No. of Days	Consent	Remarks
307	ER-II	220KV-MAITHON-DUMKA-1	AC TRANSMISSION LINE CIRCUIT	D	ULDC old Alstom make RTU S900 and associated CT PT connection dismantling work after replacemnet with new one for sending the data at ERLDC	21-Mar-2025	09:00	21-Mar-2025	17:00	1	JUSNL	approved .To be preponed
324	ER-II	220KV-MAITHON-DUMKA-2	AC TRANSMISSION LINE CIRCUIT	C	CB OVERHAULING WORK	10-Mar-2025	09:00	12-Mar-2025	17:00	3	JUSNL	approved .To be preponed
334	ER-II	220KV-NEW MELLI-JORETHANG-1	AC TRANSMISSION LINE CIRCUIT	C	S/D FOR BUS-I & II INTERFACE CONNECTION BETWEEN NEW & EXISTING [205] GIS MODULES RESPECTIVELY AT NEW	01-Mar-2025	09:00	12-Mar-2025	17:00	12	JORETHANG	Approved in last week of march on daily basis
336	ER-II	220KV/132KV 160 MVA ICT 2 AT MALDA	TRANSFORMER	D	Repeat Winding tandelta testing due to test result violation	17-Mar-2025	07:00	17-Mar-2025	14:00	1	WB	Approved, to be taken in last week of Feb
339	ER-II	220KV MAIN BUS - 2 AT RANGPO	BUS	D	Bus Staability test for existing bus & new busbar scheme.	25-Mar-2025	09:00	25-Mar-2025	17:00	1	RONGNICHU/TASHI DING/JORETHANG	Approved in last week of march on daily basis
340	ER-II	220KV MAIN BUS - 1 AT RANGPO	BUS	D	Bus Staability test for existing bus & new busbar scheme.	25-Mar-2025	09:00	25-Mar-2025	17:00	1	RONGNICHU/TASHI DING/JORETHANG	Approved in last week of march on daily basis
341	ER-II	220KV MAIN BUS - 1 AT RANGPO	BUS	D	For HV testing of 215 & 216 bay	24-Mar-2025	09:00	24-Mar-2025	17:00	1	RONGNICHU/TASHI DING/JORETHANG	Approved in last week of march on daily basis
342	ER-II	220KV MAIN BUS - 2 AT RANGPO	BUS	D	For HV testing of 215 & 216 bay	24-Mar-2025	09:00	24-Mar-2025	17:00	1	RONGNICHU/TASHI DING/JORETHANG	Approved in last week of march on daily basis
344	ER-II	220KV MAIN BUS - 2 AT RANGPO	BUS	C	BUS-II intercoupling with Existing End module (existing bay 214) Installation of adopter module for	19-Mar-2025	09:00	22-Mar-2025	17:00	4	RONGNICHU/TASHI DING/JORETHANG	Approved in last week of march on daily basis
346	ER-II	220KV MAIN BUS - 2 AT MAITHON	BUS	D	Bus pipe dismantaning for CB replacement	17-Mar-2025	09:00	17-Mar-2025	17:00	1	DVC/JUSNL	Approved to 1st week of march
347	ER-II	220KV MAIN BUS - 2 AT MAITHON	BUS	D	Bus pipe erection after CB replacement	15-Mar-2025	09:00	15-Mar-2025	17:00	1	DVC/JUSNL	Approved to 1st week of march
348	ER-II	220KV MAIN BUS - 1 AT RANGPO	BUS	C	BUS-I intercoupling with Existing End module (existing bay 214) Installation of adopter module for	15-Mar-2025	09:00	18-Mar-2025	17:00	4	RONGNICHU/TASHI DING/JORETHANG/ Sikkim	Approved in last week of march on daily basis
349	ER-II	220KV MAIN BUS - 2 AT NEW MELLI	BUS	C	S/D FOR ELECTRICAL CONNECTION, HV TEST, BUSBAR STABILITY TEST AT NEW MELLI UNDER JP CONSULTANCY	13-Mar-2025	09:00	14-Mar-2025	17:00	2	JLHEP/TASHIDING/ sikkim	Approved in last week of march on daily basis
350	ER-II	220KV MAIN BUS - 1 AT NEW MELLI	BUS	C	S/D FOR ELECTRICAL CONNECTION, HV TEST, BUSBAR STABILITY TEST AT NEW MELLI UNDER JP CONSULTANCY	13-Mar-2025	09:00	14-Mar-2025	17:00	2	JLHEP/TASHIDING/ sikkim	Approved in last week of march on daily basis
351	ER-II	220KV MAIN BUS - 1 AT MAITHON	BUS	D	Dumka-2 Line Bus Isolator alignment work	11-Mar-2025	09:00	11-Mar-2025	17:00	1	DVC/JUSNL	Approved to 1st week of march

### Annex-I

Sr. No.	Name of Requesting Agency	Element Name	Element Type	Daily/ Continuous	Reason	Requested From Date	Requested From Time	Requested To Date	Requested To Time	No. of Days	Consent	Remarks
352	ER-II	220KV MAIN BUS - 2 AT NEW MELLI	BUS	C	S/D FOR BUS-II INTERFACE CONNECTION BETWEEN NEW & EXISTING [205] GIS MODULES AT NEW MELLI UNDER JP C	07-Mar-2025	09:00	12-Mar-2025	17:00	6	JLHEP/TASHIDING/ SIKKIM	Approved in last week of march on daily basis
353	ER-II	220KV MAIN BUS - 2 AT MAITHON	BUS	D	Bus pipe dismantling for CB replacement	03-Mar-2025	09:00	03-Mar-2025	17:00	1	DVC/JUSNL	approved
354	ER-II	220KV MAIN BUS - 1 AT NEW MELLI	BUS	C	S/D FOR BUS-I INTERFACE CONNECTION BETWEEN NEW & EXISTING [205] GIS MODULES AT NEW MELLI UNDER JP CO	01-Mar-2025	09:00	06-Mar-2025	17:00	6	JLHEP/TASHIDING/ SIKKIM	Approved in last week of march on daily basis
367	ER-II	220KV MAIN BAY OF KALYANESHWARI-I AT MAITHON	Bay	C	220KV CB Replacement work	17-Mar-2025	09:00	31-Mar-2025	17:00	15		Approved
379	ER-II	220KV BUS COUPLER BAY AT MAITHON(PG)	Bay	C	220KV CB Replacement work	03-Mar-2025	09:00	15-Mar-2025	17:00	13		Approved. To be preponed by one week
142	ER-I	400KV MAIN BUS (EAST SIDE)-I AT PUSAULI	BUS	D	BPI replacement of 400KV East Bus-1 connected Isolators at Pusauli SS.	17-Mar-2025	07:00	20-Mar-2025	17:30	4	BSPTCL/BRBCL/NL DC	Approved
275	ER-I	400KV-NEW RANCHI-RANCHI-3	AC TRANSMISSION LINE CIRCUIT	D	Flashed insulator replacement work at Loc no 32	01-Mar-2025	08:00	01-Mar-2025	17:30	1		approved
276	ER-I	400KV-RANCHI-NEW RANCHI-1	AC TRANSMISSION LINE CIRCUIT	D	Lightening Flashover Insulator replacement at Loc No 84 & 85	01-Mar-2025	08:00	02-Mar-2025	17:30	2		approved
277	ER-I	400KV-RANCHI-NEW RANCHI-1	AC TRANSMISSION LINE CIRCUIT	D	Replacement of Porcelain Disc insulator in all suspension tower of 400KV Ranchi-New Ranchi-CKT-1 by CLR	01-Mar-2025	08:00	08-Mar-2025	17:30	8		approved
116	PG (ODISHA PROJECT)	400KV-ROURKELA-JHARSUGUDA-4	AC TRANSMISSION LINE CIRCUIT	C	For Reconductoring work under Sundargarh & Rourkela TLM office jurisdiction (On Continuous basis).	01-Mar-2025	08:00	31-Mar-2025	18:00	31		approved. To be completed by 1st week of march
120	PG (ODISHA PROJECT)	400KV MAIN BUS - 1 AT ROURKELA	BUS	D	AMP Works	02-Mar-2025	09:00	02-Mar-2025	18:00	1	GRIDCO	approved

### Annex-I

Sr. No.	Name of Requesting Agency	Element Name	Element Type	Daily/ Continuous	Reason	Requested From Date	Requested From Time	Requested To Date	Requested To Time	No. of Days	Consent	Remarks
121	PG (ODISHA PROJECT)	400KV MAIN BUS - 2 AT ROURKELA	BUS	D	Stability Test	26-Mar-2025	09:00	26-Mar-2025	18:00	1	GRIDCO	approved
122	PG (ODISHA PROJECT)	400KV MAIN BUS - 1 AT ROURKELA	BUS	D	Stability Test	25-Mar-2025	09:00	25-Mar-2025	18:00	1	GRIDCO	approved
282	PG (ODISHA PROJECT)	400KV MAIN BUS - 2 AT ROURKELA	BUS	D	Restoration of Bus Split work	15-Mar-2025	14:00	15-Mar-2025	19:00	1	GRIDCO	approved
283	PG (ODISHA PROJECT)	400KV MAIN BUS - 1 AT ROURKELA	BUS	D	Restoration of Bus Split work	15-Mar-2025	08:00	15-Mar-2025	13:00	1	GRIDCO	approved
284	PG (ODISHA PROJECT)	400KV MAIN BUS - 2 AT ROURKELA	BUS	D	Bus Split work for erection of strung bus(6) over bus 1 and bus 2	12-Mar-2025	14:00	12-Mar-2025	19:00	1	GRIDCO	approved
285	PG (ODISHA PROJECT)	400KV MAIN BUS - 1 AT ROURKELA	BUS	D	Bus Split work for erection of strung bus(6) over bus 1 and bus 2	12-Mar-2025	08:00	12-Mar-2025	13:00	1	GRIDCO	approved
286	PG (ODISHA PROJECT)	400KV MAIN BUS - 2 AT ROURKELA	BUS	D	Restoration of Bus Split work	11-Mar-2025	14:00	11-Mar-2025	19:00	1	GRIDCO	approved
287	PG (ODISHA PROJECT)	400KV MAIN BUS - 1 AT ROURKELA	BUS	D	Restoration of Bus Split work	11-Mar-2025	08:00	11-Mar-2025	13:00	1	GRIDCO	approved
288	PG (ODISHA PROJECT)	400KV MAIN BUS - 2 AT ROURKELA	BUS	D	Bus Split work for erection of strung bus(5) over bus 1 and bus 2	07-Mar-2025	14:00	07-Mar-2025	19:00	1	GRIDCO	approved
289	PG (ODISHA PROJECT)	400KV MAIN BUS - 1 AT ROURKELA	BUS	D	Bus Split work for erection of strung bus(5) over bus 1 and bus 2	07-Mar-2025	08:00	07-Mar-2025	13:00	1	GRIDCO	approved
290	PG (ODISHA PROJECT)	400KV MAIN BUS - 2 AT ROURKELA	BUS	D	Connection of Jumper of 400 kV Chaibasa #1 Bus Side ISO(41689B)	20-Mar-2025	09:00	20-Mar-2025	13:00	1	GRIDCO	approved
291	PG (ODISHA PROJECT)	400KV MAIN BUS - 1 AT ROURKELA	BUS	D	Connection of Jumper of 400 kV Sundargarh #1 Bus Side ISO(41889A)	19-Mar-2025	09:00	19-Mar-2025	13:00	1	GRIDCO	approved
294	PG (ODISHA PROJECT)	400KV MAIN BUS - 2 AT ROURKELA	BUS	D	Removal of Jumper of 400 kV Chaibasa #1 Bus Side ISO(41689B)	05-Mar-2025	09:00	05-Mar-2025	13:00	1	GRIDCO	approved
295	PG (ODISHA PROJECT)	400KV MAIN BUS - 1 AT ROURKELA	BUS	D	Removal of Jumper of 400 kV Sundargarh #1 Bus Side ISO(41889A)	04-Mar-2025	09:00	04-Mar-2025	13:00	1	GRIDCO	approved
296	PG (ODISHA PROJECT)	400KV MAIN BUS - 2 AT ROURKELA	BUS	D	AMP Works	03-Mar-2025	09:00	03-Mar-2025	18:00	1	GRIDCO	approved
386	PG (ODISHA PROJECT)	400KV-ROURKELA-JHARSUGUDA-4	AC TRANSMISSION LINE CIRCUIT	C	Reconductoring of 400 KV ROURKELA-SUNDARGARH #4 and stringing between TN9 and TN10 (Power Line crossing)	01-Mar-2025	08:00	10-Mar-2025	18:00	10		Approved to 1st week of march

### Annex-I

Sr. No.	Name of Requesting Agency	Element Name	Element Type	Daily/ Continuous	Reason	Requested From Date	Requested From Time	Requested To Date	Requested To Time	No. of Days	Consent	Remarks
387	PG (ODISHA PROJECT)	400KV-JHARSUGUDA-ROURKELA-2	AC TRANSMISSION LINE CIRCUIT	C	Reconductoring of 400 KV ROURKELA-SUNDARGARH #2	01-Mar-2025	08:00	31-Mar-2025	18:00	31		approved
388	PG (ODISHA PROJECT)	400KV-RANCHI-ROURKELA-2	AC TRANSMISSION LINE CIRCUIT	C	Bay Upgradation Work on Main Bay(421) & Tie Bay(420) & REPLACEMENT OF STRUNG BUS OVER MAIN BAY and reconductoring in MC Tower 394 to 398	01-Mar-2025	08:00	15-Mar-2025	18:00	15		approved
389	PG (ODISHA PROJECT)	400KV-ROURKELA-CHAIBASA-1	AC TRANSMISSION LINE CIRCUIT	C	Bay Upgradation Work on Main Bay(416) & Tie Bay(417) For Bay Upgradation & Strung Bus replacement over Main Bay of Chaibasa #1	01-Mar-2025	08:00	31-Mar-2025	18:00	31		approved
390	PG (ODISHA PROJECT)	400KV-ROURKELA-JHARSUGUDA-1	AC TRANSMISSION LINE CIRCUIT	C	Bay Upgradation Work on Line Bay (418L),Main Bay(418) & Tie Bay(417)	01-Mar-2025	08:00	31-Mar-2025	18:00	31		approved
415	PG (ODISHA PROJECT)	400KV-ROURKELA-JHARSUGUDA-1	AC TRANSMISSION LINE CIRCUIT	D	For completion of CEA punch points of said line or defect rectifications for reconductoring works	21-Mar-2025	07:00	24-Mar-2025	18:00	4		approved
430	PG (ODISHA PROJECT)	400KV-JHARSUGUDA-ROURKELA-3	AC TRANSMISSION LINE CIRCUIT	C	For Reconductoring work under Sundargarh & Rourkela TLM office jurisdiction	01-Mar-2025	07:00	31-Mar-2025	18:00	31		approved. To be completed by 1st week of march
446	BSPTCL	220KV-BIHARSARIFF-TTPS-1	AC TRANSMISSION LINE CIRCUIT	D	For re stringing of missing earth wire.	18-Mar-2025	08:00	21-Mar-2025	16:00	4	JUSNL	Approved. S/D to be taken with any unit S/D at TVNL.
460	GRIDCO	400KV-MEERAMUNDALI-TSTPP-2	AC TRANSMISSION LINE CIRCUIT	D	Rectification of B-Phase LA installation & earth pit resistance measurement	20-Mar-2025	08:00	20-Mar-2025	17:00	1		approved S/D to be taken in Feb end.To be preponed
461	GRIDCO	400KV-MEERAMUNDALI-TSTPP-1	AC TRANSMISSION	D	Rectification of Y-Phase LA	18-Mar-2025	08:00	18-Mar-2025	17:00	1		Approved S/D to be taken in
10	TSTPP	400KV-MEERAMUNDALI-TSTPP-1	AC TRANSMISSION LINE CIRCUIT	C	AMP jobs & CT ratio change	03-Mar-2025	08:00	04-Mar-2025	18:00	2	NLDC/GRIDCO	Approved. Proponed to Feb End.May be clubbed with GRIDCO shutdown
11	TSTPP	400KV-TSTPP-RENGALI-2	AC TRANSMISSION LINE CIRCUIT	C	Amp jobs	25-Mar-2025	08:00	26-Mar-2025	18:00	2		Approved. Proponed to Feb End
12	TSTPP	400KV-TSTPP-RENGALI-1	AC TRANSMISSION LINE CIRCUIT	C	amp jobs	20-Mar-2025	08:00	21-Mar-2025	18:00	2		Approved. Proponed to Feb End.To be preponed
1	SRTS	400KV-JEYPORE-GAJUWAKA-2	AC TRANSMISSION LINE CIRCUIT	C	For Line diversion works b/w 500 - 509 by NHAI on Hybrid Annuity mode	16-Mar-2025	08:00	31-Mar-2025	18:00	16	NLDC	approved
2	SRTS	400KV-JEYPORE-GAJUWAKA-1	AC TRANSMISSION LINE CIRCUIT	C	For Line diversion works b/w 500 - 509 by NHAI on Hybrid Annuity mode	16-Mar-2025	08:00	31-Mar-2025	18:00	16	NLDC	approved
45	ER-II	400KV-RANGPO-TEESTA-V-1	AC TRANSMISSION LINE CIRCUIT	D	Replacement of damage CLR insulator	11-Mar-2025	09:00	11-Mar-2025	17:00	1	TEESTA V	

### Annex-I

Sr. No.	Name of Requesting Agency	Element Name	Element Type	Daily/ Continuous	Reason	Requested From Date	Requested From Time	Requested To Date	Requested To Time	No. of Days	Consent	Remarks
46	ER-II	400KV-RANGPO-DIKCHU-1	AC TRANSMISSION LINE CIRCUIT	D	Replacement of damage CLR insulator	11-Mar-2025	09:00	11-Mar-2025	17:00	1	TEESTA III/DIKCHU	
47	ER-II	400KV-RAJARHAT-JEERAT-1	AC TRANSMISSION LINE CIRCUIT	D	Replacement of damaged insulator caused due to pollution	14-Mar-2025	08:00	14-Mar-2025	16:00	1	WB	
48	ER-II	400KV-RAJARHAT-GOKARNA-1	AC TRANSMISSION LINE CIRCUIT	D	Replacement of damaged insulator caused due to pollution	26-Mar-2025	08:00	26-Mar-2025	16:00	1	WB	
49	ER-II	400KV-RAJARHAT-FSTPP-1	AC TRANSMISSION LINE CIRCUIT	D	Replacement of damaged insulator caused due to pollution	25-Mar-2025	08:00	25-Mar-2025	16:00	1	WB	
50	ER-II	400KV-JAMSHEDPUR-MEJIA-1	AC TRANSMISSION LINE CIRCUIT	D	Replacement of defective CLR insulator caused due to lightening	03-Mar-2025	08:00	04-Mar-2025	17:00	2	DVC	
51	ER-II	400KV-DURGAPUR-JAMSHEDPUR-1	AC TRANSMISSION LINE CIRCUIT	D	REPLACEMENT OF DAMAGED INSULATOR CAUSED DUE TO LIGHTENING	19-Mar-2025	09:00	21-Mar-2025	17:00	3		
59	ER-II	400KV-DURGAPUR-BIDHANNAGAR-1	AC TRANSMISSION LINE CIRCUIT	D	RELAY SETTING UPDATION & INPUT WIRING IN P545 LINE DIFF RELAY	25-Mar-2025	09:30	25-Mar-2025	17:30	1	WB	
61	ER-II	400KV-DURGAPUR-BIDHANNAGAR-2	AC TRANSMISSION LINE CIRCUIT	D	RELAY SETTING UPDATION & INPUT WIRING IN P545 LINE DIFF RELAY	26-Mar-2025	09:30	26-Mar-2025	17:30	1	WB	
65	ER-II	400KV-BINAGURI-RANGPO-1	AC TRANSMISSION LINE CIRCUIT	D	For replacement of Decan make defective CLR Insulator caused due to lightening	17-Mar-2025	09:00	22-Mar-2025	17:00	6		
66	ER-II	400KV-BINAGURI-BONGAIGAON-2	AC TRANSMISSION LINE CIRCUIT	D	Replacement of damaged CLR caused due to lightening	07-Mar-2025	09:00	08-Mar-2025	17:00	2	NLDC	
71	ER-II	400KV-BINAGURI-BONGAIGAON-1	AC TRANSMISSION LINE CIRCUIT	D	Replacement of damaged CLR caused due to lightening	05-Mar-2025	09:00	06-Mar-2025	17:00	2	NLDC	
81	ER-II	132KV-RANGIT-KURSEONG-1	AC TRANSMISSION LINE CIRCUIT	D	Repairing Damaged conductor at loc 81-82 caused due to lightening	08-Mar-2025	08:30	08-Mar-2025	16:30	1	Rangit/WB	
99	ER-II	125MVAR 400KV B/R-2 AT RAJARHAT	BUS REACTOR	D	CSD RE-Tunning Work	05-Mar-2025	09:00	05-Mar-2025	17:00	1		
100	ER-II	80MVAR 400KV B/R-1 AT BAHARAMPUR	BUS REACTOR	D	CSD RE-Tunning Work	20-Mar-2025	09:00	20-Mar-2025	17:00	1		

### Annex-I

Sr. No.	Name of Requesting Agency	Element Name	Element Type	Daily/ Continuous	Reason	Requested From Date	Requested From Time	Requested To Date	Requested To Time	No. of Days	Consent	Remarks
297	ER-II	400KV-MAITHON-KHSTPP-2	AC TRANSMISSION LINE CIRCUIT	D	ULDC old Alstom make RTU S900 and associated CT PT connection dismantling work after replacemnet with new one for sending the data at ERLDC	29-Mar-2025	09:00	29-Mar-2025	17:00	1		
298	ER-II	400KV-MAITHON-KHSTPP-1	AC TRANSMISSION LINE CIRCUIT	D	ULDC old Alstom make RTU S900 and associated CT PT connection dismantling work after replacemnet with new one for sending the data at ERLDC	28-Mar-2025	09:00	28-Mar-2025	17:00	1		
299	ER-II	400KV-BAHARAMPUR-BHERAMARA-4	AC TRANSMISSION LINE CIRCUIT	D	Insulator replacement work	27-Mar-2025	09:00	29-Mar-2025	17:00	3	NLDC	
300	ER-II	400KV-MAITHON-MAITHON RB-1	AC TRANSMISSION LINE CIRCUIT	D	ULDC old Alstom make RTU S900 and associated CT PT connection dismantling work after replacemnet with new one for sending the data at ERLDC	26-Mar-2025	09:00	26-Mar-2025	17:00	1		
301	ER-II	400KV-MAITHON-DURGAPUR-2	AC TRANSMISSION LINE CIRCUIT	D	ULDC old Alstom make RTU S900 and associated CT PT connection dismantling work after replacemnet with new one for sending the data at ERLDC	26-Mar-2025	09:00	26-Mar-2025	17:00	1		
302	ER-II	220KV-BINAGURI-BIRPARA-1	AC TRANSMISSION LINE CIRCUIT	D	REPLACEMENT OF OLD BMK BY NEW BMK UNDER ADDCAP	26-Mar-2025	08:00	26-Mar-2025	17:00	1		
303	ER-II	400KV-MAITHON-MAITHON RB-2	AC TRANSMISSION LINE CIRCUIT	D	ULDC old Alstom make RTU S900 and associated CT PT connection dismantling work after replacemnet with new one for sending the data at ERLDC	25-Mar-2025	09:00	25-Mar-2025	17:00	1		
304	ER-II	400KV-BAHARAMPUR-BHERAMARA-3	AC TRANSMISSION LINE CIRCUIT	D	Insulator replacement work	24-Mar-2025	09:00	26-Mar-2025	17:00	3	NLDC	
305	ER-II	400KV-BINAGURI-RANGPO-2	AC TRANSMISSION LINE CIRCUIT	D	For replacement of Decan make defective CLR Insulator	24-Mar-2025	09:00	29-Mar-2025	17:00	6		
306	ER-II	400KV-MAITHON-RANCHI-1	AC TRANSMISSION LINE CIRCUIT	D	ULDC old Alstom make RTU S900 and associated CT PT connection dismantling work after replacemnet with new one for sending the data at ERLDC	22-Mar-2025	09:00	22-Mar-2025	17:00	1		
308	ER-II	132KV-MALDA(PG)-MALDA(WBSETCL)-1	AC TRANSMISSION LINE CIRCUIT	D	AMP works (GIS CB warrenty test)	20-Mar-2025	07:00	20-Mar-2025	14:00	1	WB	
309	ER-II	400KV-BAHARAMPUR-SAGARDIGHI-2	AC TRANSMISSION LINE CIRCUIT	D	Relay Firmware upgradation work.	19-Mar-2025	09:00	19-Mar-2025	17:00	1	WB	
310	ER-II	220KV-ALIPURDUAR (PG)-BIRPARA-2	AC TRANSMISSION LINE CIRCUIT	D	REPLACEMENT OF OLD BMK BY NEW BMK UNDER ADDCAP	19-Mar-2025	08:00	19-Mar-2025	17:00	1		
311	ER-II	765KV-MEDINIPUR-NEW JEERAT-2	AC TRANSMISSION LINE CIRCUIT	D	Replacement of damage CLR insulator	19-Mar-2025	08:00	19-Mar-2025	17:00	1	NLDC	
312	ER-II	400KV-BAHARAMPUR-SAGARDIGHI-1	AC TRANSMISSION LINE CIRCUIT	D	Relay Firmware upgradation work.	18-Mar-2025	09:00	18-Mar-2025	17:00	1	WB	
313	ER-II	765KV-MEDINIPUR-NEW JEERAT-1	AC TRANSMISSION LINE CIRCUIT	D	Replacement of damage CLR insulator	18-Mar-2025	08:00	18-Mar-2025	17:00	1	NLDC	

### Annex-I

Sr. No.	Name of Requesting Agency	Element Name	Element Type	Daily/ Continuous	Reason	Requested From Date	Requested From Time	Requested To Date	Requested To Time	No. of Days	Consent	Remarks
314	ER-II	220KV-MAITHON-KALYANESHWARI-1	AC TRANSMISSION LINE CIRCUIT	D	220KV CB Replacement work	17-Mar-2025	09:00	17-Mar-2025	17:00	1	DVC	
315	ER-II	400KV-FSTPP-BAHARAMPUR-1	AC TRANSMISSION LINE CIRCUIT	D	Relay Firmware upgradation work.	17-Mar-2025	09:00	17-Mar-2025	17:00	1		
316	ER-II	400KV-ALIPURDUAR (PG)-BONGAIGAON-2	AC TRANSMISSION LINE CIRCUIT	D	For rectification of shutdown nature defect in Top phase in multi-circuit portion	13-Mar-2025	09:00	13-Mar-2025	17:00	1	NLDC	
317	ER-II	400KV-BINAGURI-ALIPURDUAR (PG)-1	AC TRANSMISSION LINE CIRCUIT	D	For rectification of shutdown nature defect in Bottom phase in multi-circuit portion	13-Mar-2025	09:00	13-Mar-2025	17:00	1		
318	ER-II	400KV-BINAGURI-ALIPURDUAR (PG)-2	AC TRANSMISSION LINE CIRCUIT	D	For rectification of shutdown nature defect in Bottom phase in multi-circuit portion	12-Mar-2025	09:01	12-Mar-2025	17:01	1		
319	ER-II	400KV-ALIPURDUAR (PG)-BONGAIGAON-1	AC TRANSMISSION LINE CIRCUIT	D	For rectification of shutdown nature defect in Top phase in multi-circuit portion	12-Mar-2025	09:00	12-Mar-2025	17:00	1	NLDC	
320	ER-II	220KV-RAJARHAT-NEW TOWN(AA-II)-1	AC TRANSMISSION LINE CIRCUIT	D	Main-2 Firmware Upgradation	11-Mar-2025	09:00	11-Mar-2025	16:00	1		
321	ER-II	400KV-MAITHON-MEJIA-3	AC TRANSMISSION LINE CIRCUIT	D	Repair of damaged conductor at Loc-113,114	11-Mar-2025	09:00	12-Mar-2025	17:00	2	DVC	
322	ER-II	400KV-KISHANGANJ(PG)-RANGPO-2	AC TRANSMISSION LINE CIRCUIT	D	TOR Logic implementation for manual close	11-Mar-2025	09:00	11-Mar-2025	17:00	1		
323	ER-II	765KV-NEW RANCHI-MEDINIPUR-2	AC TRANSMISSION LINE CIRCUIT	D	INSULATOR REPLACEMENT & AMP WORK OF LINE REACTOR& IPTU SURGE PROTECTOR INSTALLATION	11-Mar-2025	09:00	11-Mar-2025	17:00	1	NLDC	
325	ER-II	400KV-KISHANGANJ(PG)-RANGPO-1	AC TRANSMISSION LINE CIRCUIT	D	TOR Logic implementation for manual close	10-Mar-2025	09:00	10-Mar-2025	17:00	1		
326	ER-II	132KV-RANGIT-RAMMAM-1	AC TRANSMISSION LINE CIRCUIT	D	Insulator cleaning at different locations due to pollution	07-Mar-2025	09:00	07-Mar-2025	16:30	1	RANGIT/WB	
327	ER-II	132KV-RANGIT-RANGPO-1	AC TRANSMISSION LINE CIRCUIT	D	Conductor repairing work at location no 40-41 of 132KV Rangit Rangpo (LIL) ckt due to hill sinking	06-Mar-2025	09:00	07-Mar-2025	16:00	2	RANGIT/SIKKIM	
328	ER-II	400KV-MEDINIPUR-KHARAGPUR-2	AC TRANSMISSION LINE CIRCUIT	D	INSTALLTION OF IPTU SURGE PROTECTOR	06-Mar-2025	09:00	06-Mar-2025	17:00	1	WB	
329	ER-II	400KV-JAMSHEDPUR-ANDAL-2	AC TRANSMISSION LINE CIRCUIT	D	Replacement of defective CLR insulator	06-Mar-2025	08:00	08-Mar-2025	17:00	3	DVC	
330	ER-II	220KV-ALIPURDUAR (PG)-BIRPARA-1	AC TRANSMISSION LINE CIRCUIT	D	REPLACEMENT OF OLD BMK BY NEW BMK UNDER ADDCAP	06-Mar-2025	08:00	06-Mar-2025	17:00	1		
331	ER-II	400KV-JAMSHEDPUR-MAITHON-1	AC TRANSMISSION LINE CIRCUIT	D	ULDC old Alstom make RTU S900 and associated CT PT connection dismantling work after replacemnet with new one for sending the data at ERLDC	05-Mar-2025	08:00	06-Mar-2025	17:00	2		
332	ER-II	220KV-RANGPO-NEW MELLI-1	AC TRANSMISSION LINE CIRCUIT	C	For reconductoring with same conductor (HTLS GTACSR) of Top Phase between span no 43-44 due to dead	04-Mar-2025	09:00	06-Mar-2025	17:00	3	JORETHANG/TASHIDING	

### Annex-I

Sr. No.	Name of Requesting Agency	Element Name	Element Type	Daily/ Continuous	Reason	Requested From Date	Requested From Time	Requested To Date	Requested To Time	No. of Days	Consent	Remarks
333	ER-II	400KV-JAMSHEDPUR-ANDAL-1	AC TRANSMISSION LINE CIRCUIT	D	Replacement of defective CLR insulator	03-Mar-2025	08:00	05-Mar-2025	17:00	3	DVC	
335	ER-II	400KV/220KV 315 MVA ICT 3 AT BINAGURI	TRANSFORMER	C	Replacement of B phase IV Bushing	18-Mar-2025	09:00	21-Mar-2025	17:00	4	WB	
337	ER-II	220KV/132KV 100 MVA ICT 4 AT RANGPO	TRANSFORMER	C	Gas works for Busbar-1 &2 Existing (214 bay) for installation of Busbar - 1&2 of adopter module	15-Mar-2025	09:00	22-Mar-2025	17:00	8	SIKKIM	
343	ER-II	400KV MAIN BUS - 2 AT MAITHON	BUS	D	Bus Isolator alignment	20-Mar-2025	09:00	20-Mar-2025	17:00	1	DVC/JUSNL	
345	ER-II	400KV MAIN BUS - 1 AT MAITHON	BUS	D	Bus Isolator alignment	18-Mar-2025	09:00	18-Mar-2025	17:00	1	DVC/JUSNL	
358	ER-II	125MVAR 400KV B/R-3 AT DURGAPUR	BUS REACTOR	C	423-89A Isolator replacement under ADDCAP	25-Mar-2025	09:30	29-Mar-2025	17:30	5		
359	ER-II	330MVAR 765KV B/R-2 AT MEDINIPUR	BUS REACTOR	D	AMP Work	08-Mar-2025	09:00	08-Mar-2025	17:00	1	NLDC	
360	ER-II	125MVAR 400KV B/R-1 AT MAITHON	BUS REACTOR	C	Aircel Replacement work	06-Mar-2025	09:00	07-Mar-2025	17:00	2		
361	ER-II	330MVAR 765KV B/R-1 AT MEDINIPUR	BUS REACTOR	D	AMP Work	07-Mar-2025	09:00	07-Mar-2025	17:00	1	NLDC	
362	ER-II	125MVAR 400KV B/R-2 AT MEDINIPUR	BUS REACTOR	D	AMP	05-Mar-2025	09:00	05-Mar-2025	17:00	1		
365	ER-II	220KV MAIN BAY OF 160MVA ICT-I AT BIRPARA(PG)	Bay	D	REPLACEMENT OF OLD BMK BY NEW BMK(CONTINENTAL MAKE)	28-Mar-2025	09:00	28-Mar-2025	17:00	1		
366	ER-II	400KV TIE BAY OF (BIDHANNAGAR-I AND 315MVA ICT-I) AT DURGAPUR	Bay	C	408-89A Isolator replacement under ADDCAP	20-Mar-2025	09:00	24-Mar-2025	17:00	5		
368	ER-II	400KV TIE BAY OF (MAITHON-II AND FUTURE) AT DURGAPUR	Bay	C	420-89A Isolator replacement under ADDCAP	15-Mar-2025	09:00	19-Mar-2025	17:00	5		
369	ER-II	400KV MAIN BAY OF 125MVAR B/R-3 AT DURGAPUR	Bay	D	AMP Work	10-Mar-2025	09:00	10-Mar-2025	17:00	1		
370	ER-II	400KV TIE BAY OF (PUNATSANGCHU I AND PUNATSANGCHU II) AT ALIPURDUAR	Bay	D	AMP Work	07-Mar-2025	09:00	07-Mar-2025	17:00	1		
371	ER-II	400KV MAIN BAY OF 315MVA ICT-I AT DURGAPUR	Bay	D	AMP Work	07-Mar-2025	09:00	07-Mar-2025	17:00	1		
372	ER-II	400KV MAIN BAY OF PUNATSANGCHU II AT ALIPURDUAR	Bay	D	AMP Work	06-Mar-2025	09:00	06-Mar-2025	17:00	1		
373	ER-II	400KV TIE BAY OF (FSTPP-II AND MAITHON-I) AT DURGAPUR	Bay	D	AMP Work	06-Mar-2025	09:00	06-Mar-2025	17:00	1		
374	ER-II	400KV MAIN BAY OF PUNATSANGCHU I AT ALIPURDUAR	Bay	D	AMP Work	05-Mar-2025	09:00	05-Mar-2025	17:00	1		
375	ER-II	220KV TRANSFER BUS COUPLER-2 BAY AT DURGAPUR	Bay	D	AMP Work	05-Mar-2025	09:00	05-Mar-2025	17:00	1		
376	ER-II	400KV TIE BAY OF BIDHANNAGAR-2 & 175MVAR (BR-1&2) AT DURGAPUR	Bay	D	AMP Work	04-Mar-2025	09:00	04-Mar-2025	17:00	1		
377	ER-II	400KV TIE BAY OF (BONGAIGAON-I AND FUTURE) AT ALIPURDUAR	Bay	D	AMP Work	04-Mar-2025	09:00	04-Mar-2025	17:00	1		
378	ER-II	220KV TRANSFER BUS COUPLER -1BAY AT DURGAPUR	Bay	D	AMP Work	03-Mar-2025	09:00	03-Mar-2025	17:00	1		
380	ER-II	400KV MAIN BAY OF FUTURE(BAY NO 422) AT DURGAPUR	Bay	C	422-89A & 423-89B Isolator replacement under ADDCAP	03-Mar-2025	09:00	11-Mar-2025	17:00	9		

### Annex-I

Sr. No.	Name of Requesting Agency	Element Name	Element Type	Daily/ Continuous	Reason	Requested From Date	Requested From Time	Requested To Date	Requested To Time	No. of Days	Consent	Remarks
381	ER-II	400KV TIE BAY OF ( 125MVAR 400KV B/R-3 AND FUTURE) AT DURGAPUR	Bay	C	422-89A & 423-89B Isolator replacement under ADDCAP	03-Mar-2025	09:00	11-Mar-2025	17:00	9		
31	ER-I	400KV MAIN BAY OF MALDA-II AT NEW PURNEA	Bay	D	BAY AMP WORK	19-Mar-2025	09:00	19-Mar-2025	17:30	1		
32	ER-I	400KV MAIN BAY OF KISHANGANJ-I AT NEW PURNEA	Bay	D	BAY AMP WORK	18-Mar-2025	09:00	18-Mar-2025	17:30	1		
33	ER-I	400KV MAIN BAY OF MUZAFFARPUR-II AT NEW PURNEA	Bay	D	BAY AMP	17-Mar-2025	09:00	17-Mar-2025	17:30	1		
34	ER-I	400KV TIE BAY OF (MUZAFFARPUR-I AND KISHANGANJ(PG)-II) AT NEW PURNEA	Bay	C	CB OVERHAULING WORK	12-Mar-2025	09:00	13-Mar-2025	17:30	2		
35	ER-I	400KV MAIN BAY OF (50+125)MVAR B/R-1&4 AT BIHARSARIFF(PG)	Bay	D	AMP OF MAIN BAY 421 OF BR-1	10-Mar-2025	09:00	10-Mar-2025	17:30	1		
36	ER-I	400KV MAIN BAY OF 125MVAR B/R - 2 AT NEW PURNEA	Bay	D	BAY AMP	07-Mar-2025	09:00	07-Mar-2025	17:30	1		
37	ER-I	400KV MAIN BAY OF LAKHISARAI(PG)-II AT BIHARSARIFF(PG)	Bay	D	AMP OF BSF-LKS 2 MAIN BAY 418	07-Mar-2025	09:00	07-Mar-2025	17:30	1		
38	ER-I	400KV BUS SECTIONALIZER BAY OF (MAIN BUS - 2 AND MAIN BUS - 4) AT BIHARSARIFF	Bay	D	AMP WORK OF BUS SECTIONALISER 2 & 4	06-Mar-2025	09:00	06-Mar-2025	17:30	1		
39	ER-I	400KV BUS SECTIONALIZER BAY OF (MAIN BUS - 1 AND MAIN BUS - 3) AT BIHARSARIFF	Bay	D	AMP WORK OF BUS SECTIONALISER	03-Mar-2025	09:00	03-Mar-2025	17:30	1		
101	ER-I	240MVAR 765KV B/R-2 AT NEW RANCHI	BUS REACTOR	D	AMP WORK	07-Mar-2025	09:00	07-Mar-2025	18:00	1	NLDC	
102	ER-I	240MVAR 765KV B/R-1 AT NEW RANCHI	BUS REACTOR	D	AMP WORK	06-Mar-2025	09:00	06-Mar-2025	18:00	1	NLDC	
103	ER-I	125MVAR 400KV B/R-1 AT RANCHI	BUS REACTOR	C	CONSTRUCTION WORK FOR 125MVAR B/R SHIFTING FROM 431 BAY TO 413 BAY UNDER PROJECT SS-121.	01-Mar-2025	09:00	31-Mar-2025	18:00	31		
104	ER-I	400KV/220KV 500 MVA ICT 1 AT PUSAULI(PG)	TRANSFORMER	D	LBB retrofitting works and SCADA validation for Tie Bay 408.	31-Mar-2025	09:00	31-Mar-2025	17:30	1	BSPTCL	
105	ER-I	400KV/220KV 500 MVA ICT 1 AT PUSAULI(PG)	TRANSFORMER	D	LBB retrofitting works and SCADA validation for Main Bay 407.	28-Mar-2025	09:00	28-Mar-2025	17:30	1	BSPTCL	
106	ER-I	400KV/220KV 500 MVA ICT 1 AT KISHANGANJ	TRANSFORMER	D	ICT 1 AMP WORK	28-Mar-2025	09:00	28-Mar-2025	17:30	1	BSPTCL	
107	ER-I	400KV/220KV 315 MVA ICT 2 AT MUZAFFARPUR	TRANSFORMER	D	Shutdown Required for Leakage Arrest in Transformer	22-Mar-2025	09:00	22-Mar-2025	17:30	1	BSPTCL	
108	ER-I	400KV/220KV 500 MVA ICT 2 AT PUSAULI(PG)	TRANSFORMER	D	LBB retrofitting works and SCADA validation for Tie Bay 411.	21-Mar-2025	09:00	21-Mar-2025	17:30	1	BSPTCL	
109	ER-I	400KV/220KV 500 MVA ICT 1 AT MUZAFFARPUR	TRANSFORMER	D	Shutdown Required for Leakage Arrest in Transformer	20-Mar-2025	09:00	20-Mar-2025	17:30	1	BSPTCL	

### Annex-I

Sr. No.	Name of Requesting Agency	Element Name	Element Type	Daily/ Continuous	Reason	Requested From Date	Requested From Time	Requested To Date	Requested To Time	No. of Days	Consent	Remarks
110	ER-I	400KV/220KV 500 MVA ICT 2 AT PUSAULI(PG)	TRANSFORMER	D	LBB retrofitting works and SCADA validation for Main Bay 410.	14-Mar-2025	09:00	14-Mar-2025	17:30	1	BSPTCL	
111	ER-I	220KV/132KV 100 MVA ICT 2 AT ARRAHA	TRANSFORMER	D	220KV BUSBAR NUMERICAL RELAY RETROFITTING WORK (STABILITY TEST THROUGH PRIMARY INJECTION, BUSBAR TRIP TEST WITH CB, LBB TRIP TEST WITH CB)	07-Mar-2025	09:00	07-Mar-2025	17:30	1	BSPTCL	approved
112	ER-I	220KV/132KV 160 MVA ICT 3 AT ARRAHA	TRANSFORMER	D	220KV BUSBAR NUMERICAL RELAY RETROFITTING WORK (STABILITY TEST THROUGH PRIMARY INJECTION, BUSBAR TRIP TEST WITH CB, LBB TRIP TEST WITH CB)	06-Mar-2025	09:00	06-Mar-2025	17:30	1	BSPTCL	Approved
113	ER-I	220KV/132KV 200 MVA ICT 4 AT ARRAH (PG)	TRANSFORMER	D	220KV BUSBAR NUMERICAL RELAY RETROFITTING WORK (STABILITY TEST THROUGH PRIMARY INJECTION, BUSBAR TRIP TEST WITH CB, LBB TRIP TEST WITH CB)	05-Mar-2025	09:00	05-Mar-2025	17:30	1	BSPTCL	approved
114	ER-I	220KV/132KV 100 MVA ICT 1 AT ARRAHA	TRANSFORMER	D	220KV BUSBAR NUMERICAL RELAY RETROFITTING WORK (STABILITY TEST THROUGH PRIMARY INJECTION, BUSBAR TRIP TEST WITH CB, LBB TRIP TEST WITH CB)	04-Mar-2025	09:00	04-Mar-2025	17:30	1	BSPTCL	Approved
115	ER-I	400KV/220KV 315 MVA ICT 2 AT JAMSHEDPUR	TRANSFORMER	D	For AMP work of Tertiary Bay	03-Mar-2025	09:00	03-Mar-2025	17:30	1	JUSNL	
125	ER-I	COUPLING TRANSFORMER-1 OF STATCOM AT NEW RANCHI	STATCOM	D	AMP Work.	18-Mar-2025	09:30	18-Mar-2025	18:00	1		
126	ER-I	100MVAR VSC-2 OF STATCOM AT KISHANGANJ	STATCOM	D	VSC 2 AMP work	12-Mar-2025	09:00	12-Mar-2025	17:30	1		

### Annex-I

Sr. No.	Name of Requesting Agency	Element Name	Element Type	Daily/ Continuous	Reason	Requested From Date	Requested From Time	Requested To Date	Requested To Time	No. of Days	Consent	Remarks
127	ER-I	100MVAR VSC-1 OF STATCOM AT KISHANGANJ	STATCOM	D	VSC 1 AMP work	10-Mar-2025	09:00	10-Mar-2025	17:30	1		
128	ER-I	COUPLING TRANSFORMER-1 OF STATCOM AT KISHANGANJ	STATCOM	D	COUPLING TRANSFORMER AMP work	07-Mar-2025	09:00	07-Mar-2025	17:30	1		
129	ER-I	63MVAR SWITCHABLE L/R OF 400KV-BIHARSARIFF(PG)-PUSAULI-1 AT PUSAULI	LINE REACTOR	D	LBB retrofitting works and SCADA validation for L/R Bay 412R.	26-Mar-2025	09:00	26-Mar-2025	17:30	1		
130	ER-I	63MVAR SWITCHABLE L/R OF 400KV-PUSAULI-ALLAHABAD-1 AT PUSAULI	LINE REACTOR	D	LBB retrofitting works and SCADA validation for Bay 404R.	12-Mar-2025	09:00	12-Mar-2025	17:30	1		
131	ER-I	50MVAR NON-SWITCHABLE L/R OF 400KV-NEW PPSP-NEW RANCHI-1 AT NEW RANCHI	LINE REACTOR	D	WTI Rectification & AMP WORK	11-Mar-2025	09:00	11-Mar-2025	18:15	1		
132	ER-I	63MVAR SWITCHABLE L/R OF 400KV-PUSAULI(PG)-VARANASI-1 AT PUSAULI(PG)	LINE REACTOR	D	LBB retrofitting works and SCADA validation for Main Bay 401R.	10-Mar-2025	09:00	10-Mar-2025	17:30	1		
133	ER-I	63MVAR SWITCHABLE L/R OF 400KV-NEW PURNEA-MUZAFFARPUR-2 AT MUZAFFARPUR	LINE REACTOR	D	Shutdown Required for Leakage Arrest in Line Reactor	08-Mar-2025	09:00	08-Mar-2025	17:30	1		
134	ER-I	63MVAR SWITCHABLE L/R OF 400KV-NEW PURNEA-MUZAFFARPUR-1 AT MUZAFFARPUR	LINE REACTOR	D	Shutdown Required for Leakage Arrest in Line Reactor	07-Mar-2025	09:00	07-Mar-2025	17:30	1		
135	ER-I	63MVAR SWITCHABLE L/R OF 400KV-MUZAFFARPUR(PG)-GORAKHPUR-1 AT MUZAFFARPUR(PG)	LINE REACTOR	D	Shutdown Required for Leakage Arrest in Line Reactor	05-Mar-2025	09:00	05-Mar-2025	17:30	1		
136	ER-I	240MVAR SWITCHABLE L/R OF 765KV-NEW RANCHI-MEDINIPUR-2 AT NEW RANCHI	LINE REACTOR	D	Reactor & Reactor Bay AMP	05-Mar-2025	09:00	05-Mar-2025	18:00	1	NLDC	
137	ER-I	50MVAR SWITCHABLE L/R OF 400KV-MUZAFFARPUR-GORAKHPUR-2 AT MUZAFFARPUR	LINE REACTOR	D	Shutdown Required for Leakage Arrest in Line Reactor	04-Mar-2025	09:00	04-Mar-2025	17:30	1		
138	ER-I	240MVAR SWITCHABLE L/R OF 765KV-NEW RANCHI-MEDINIPUR-1 AT NEW RANCHI	LINE REACTOR	D	Reactor & Reactor Bay AMP work.	04-Mar-2025	09:00	04-Mar-2025	18:00	1	NLDC	
139	ER-I	HVDC PUSAULI+EASTERN SIDE FILTER BUS+AC BYPASS	HVDC LINE CIRCUIT	C	VALVE COOLING PLC HMI RECTIFICATION	18-Mar-2025	09:00	19-Mar-2025	18:00	2	NLDC	
140	ER-I	400KV MAIN BUS - 2 AT KISHANGANJ	BUS	D	For Wiring of interlock circuit of bus isolator and Earthswitch, Testing of Busbar protection. Shutdown of Tie Bay (430 bay and 433bay) is also required to resolve the wiring issues.	26-Mar-2025	09:00	26-Mar-2025	17:30	1	BSPTCL	

### Annex-I

Sr. No.	Name of Requesting Agency	Element Name	Element Type	Daily/ Continuous	Reason	Requested From Date	Requested From Time	Requested To Date	Requested To Time	No. of Days	Consent	Remarks
141	ER-I	400KV MAIN BUS - 1 AT KISHANGANJ	BUS	D	For Wiring of interlock circuit of bus isolator and Earthswitch, Testing of Busbar protection. Shutdown of 400kv Kishanganj- saharsa ckt 3& 4 is also required to resolve the wiring issues.	24-Mar-2025	09:00	24-Mar-2025	17:30	1	BSPTCL	
143	ER-I	400KV MAIN BUS - 2 AT RANCHI	BUS	D	BUSBAR MCU & BU RELAY FIRMWARE UPGRADATION WORK	16-Mar-2025	09:00	16-Mar-2025	17:30	1	JUSNL/DVC	
144	ER-I	400KV MAIN BUS - 1 AT RANCHI	BUS	D	BUSBAR MCU & BU RELAY FIRMWARE UPGRADATION WORK	15-Mar-2025	09:00	15-Mar-2025	17:30	1	JUSNL/DVC	
145	ER-I	400KV MAIN BUS - 2 AT RANCHI	BUS	D	BUSBAR MCU & BU RELAY FIRMWARE UPGRADATION WORK	14-Mar-2025	09:00	14-Mar-2025	17:30	1	JUSNL/DVC	
146	ER-I	400KV MAIN BUS - 1 AT RANCHI	BUS	D	BUSBAR MCU & BU FIRMWARE UPGRADATION WORK	13-Mar-2025	09:00	13-Mar-2025	17:30	1	JUSNL/DVC	
147	ER-I	220KV MAIN BUS - 2 AT ARRAH(PG)	BUS	D	AMP Work	11-Mar-2025	09:00	11-Mar-2025	17:30	1	BSPTCL	
148	ER-I	220KV MAIN BUS - 2 AT RANCHI	BUS	D	BUSBAR MCU & BU FIRMWARE UPGRADATION WORK	11-Mar-2025	09:00	11-Mar-2025	17:30	1	JUSNL/DVC	
149	ER-I	220KV MAIN BUS - 1 AT ARRAH(PG)	BUS	D	AMP WORK	10-Mar-2025	09:00	10-Mar-2025	17:30	1	BSPTCL	
150	ER-I	220KV MAIN BUS - 1 AT RANCHI	BUS	D	BUSBAR MCU & BU FIRMWARE UPGRADATION WORK	10-Mar-2025	09:00	10-Mar-2025	17:30	1	JUSNL/DVC	
151	ER-I	220KV MAIN BUS - 2 AT CHAIBASA(PG)	BUS	D	AMP OF 220kv MAIN BUS-II AT CHAIBASA SS	06-Mar-2025	09:30	06-Mar-2025	17:30	1	JUSNL	
152	ER-I	220KV MAIN BUS - 1 AT CHAIBASA(PG)	BUS	D	AMP OF 220kv MAIN BUS-I AT CHAIBASA SS	04-Mar-2025	09:30	04-Mar-2025	17:30	1	JUSNL	
153	ER-I	132KV MAIN BUS - 1 AT PUSAULI	BUS	D	AMP Work	04-Mar-2025	09:00	04-Mar-2025	17:30	1		
154	ER-I	A/R OF 765KV-NEW RANCHI-DHARAMJAIGARH-2	Auto Recloser	D	To facilitate shutdown of Ckt-1	25-Mar-2025	09:00	25-Mar-2025	18:00	1	NLDC	
155	ER-I	400KV MAIN BAY OF 500 MVA ICT 5 AT BANKA (PG)	Bay	D	AMP Work	04-Mar-2025	09:00	04-Mar-2025	17:00	1		
156	ER-I	400KV MAIN BAY OF 500 MVA ICT 4 AT BANKA (PG)	Bay	D	AMP Work	03-Mar-2025	09:00	03-Mar-2025	17:00	1		
157	ER-I	400KV TIE BAY OF ( 500 MVA ICT 4 AND FUTURE) AT BANKA (PG)	Bay	D	AMP Work	02-Mar-2025	09:00	02-Mar-2025	17:00	1		

### Annex-I

Sr. No.	Name of Requesting Agency	Element Name	Element Type	Daily/ Continuous	Reason	Requested From Date	Requested From Time	Requested To Date	Requested To Time	No. of Days	Consent	Remarks
158	ER-I	400KV TIE BAY OF ( 500 MVA ICT 5 AND FUTURE) AT BANKA (PG)	Bay	D	AMP Work	01-Mar-2025	09:00	01-Mar-2025	17:00	1		
159	ER-I	400KV MAIN BAY OF TISCO-1 AT JAMSHEDPUR	Bay	C	CB overhauling work of Main 419 CB poles, SF6 gas filling and testing	28-Mar-2025	09:00	31-Mar-2025	18:00	4		
160	ER-I	400KV TIE BAY OF ( 400KV-DARBHANGA (DMTCL)-2 AND FUTURE) AT KISHANGANJ(PG)	Bay	D	For Wiring of interlock circuit of bus isolator and Earthswitch, Testing of Busbar protection. Shutdown of Tie Bay (430bay) and 400KV Main BUS -2 is also required to resolve the wiring issues.	26-Mar-2025	09:00	26-Mar-2025	17:30	1		
161	ER-I	400KV TIE BAY OF ( 400KV-DARBHANGA (DMTCL)-1 AND FUTURE) AT KISHANGANJ(PG)	Bay	D	For Wiring of interlock circuit of bus isolator and Earthswitch, Testing of Busbar protection. Shutdown of Tie Bay (433bay) and 400KV Main BUS -2 is also required to resolve the wiring issues.	26-Mar-2025	09:00	26-Mar-2025	17:30	1		
162	ER-I	400KV MAIN BAY OF BARIPADA(PG) AT JAMSHEDPUR	Bay	C	CB overhauling work of Main 418 CB poles, SF6 gas filling and testing	24-Mar-2025	09:00	27-Mar-2025	18:00	4		
163	ER-I	400KV TIE BAY OF ( TISCO-1 AND FUTURE) AT JAMSHEDPUR	Bay	C	CB overhauling work of Tie 420 CB poles, SF6 gas filling and testing	20-Mar-2025	09:00	22-Mar-2025	18:00	3		
164	ER-I	400KV TIE BAY OF (KHARAGPUR-I AND 125MVAR BR-II) AT CHAIBASA(PG)	Bay	D	AMP OF TIE BAY 414 OF 400KV KAHARAGPUR CKT#1 & 125MVAR BUS REACTOR#2 AT CHAIBASA SS	18-Mar-2025	09:30	18-Mar-2025	17:30	1		
165	ER-I	400KV MAIN BAY OF ANDAL -II AT JAMSHEDPUR	Bay	C	CB overhauling work of Main 416 CB poles, SF6 gas filling and testing	17-Mar-2025	09:00	19-Mar-2025	18:00	3		
166	ER-I	400KV MAIN BAY OF ANDAL-I AT JAMSHEDPUR	Bay	C	CB overhauling work of Main 415 CB poles, SF6 gas filling and testing	10-Mar-2025	09:00	12-Mar-2025	18:00	3		
167	ER-I	400KV MAIN BAY OF KHARAGPUR-I AT CHAIBASA	Bay	D	AMP OF MAIN BAY 413 OF 400KV KHARAGPUR CKT#1 AT CHAIBASA SS	08-Mar-2025	09:30	08-Mar-2025	17:30	1		

### Annex-I

Sr. No.	Name of Requesting Agency	Element Name	Element Type	Daily/ Continuous	Reason	Requested From Date	Requested From Time	Requested To Date	Requested To Time	No. of Days	Consent	Remarks
168	ER-I	220KV BUS COUPLER BAY AT ARRAH	Bay	D	220KV BUSBAR NUMERICAL RELAY RETROFITTING WORK (STABILITY TEST THROUGH PRIMARY INJECTION, BUSBAR TRIP TEST WITH CB, LBB TRIP TEST WITH CB)	07-Mar-2025	09:00	07-Mar-2025	17:30	1		
169	ER-I	400KV TIE BAY OF (BARIPADA AND ANDAL-II) AT JAMSHEDPUR	Bay	C	CB overhauling work of Tie 417 CB poles, SF6 gas filling and testing	05-Mar-2025	09:00	08-Mar-2025	18:00	4		
170	ER-I	400KV MAIN BAY OF MEJIA AT JAMSHEDPUR	Bay	D	FOR AMP WORK	04-Mar-2025	09:00	04-Mar-2025	17:30	1		
171	ER-I	220KV TRANSFER BUS COUPLER BAY AT ARRAH (PG)	Bay	D	220KV BUSBAR NUMERICAL RELAY RETROFITTING WORK (STABILITY TEST THROUGH PRIMARY INJECTION, BUSBAR TRIP TEST WITH CB, LBB TRIP TEST WITH CB)	04-Mar-2025	09:00	07-Mar-2025	17:30	4		
172	ER-I	400KV TIE BAY OF 125MVAR B/R-1 AND BIHARSARIFF-2 AT PUSAULI	Bay	D	AMP Work	03-Mar-2025	09:00	03-Mar-2025	17:30	1		
180	ER-I	A/R OF 400KV-NAUBATPUR(BH)-BALIA-2	Auto Recloser	D	For Shutdown of Parallel circuit	27-Mar-2025	09:00	27-Mar-2025	17:30	1	NLDC	
181	ER-I	A/R OF 400KV-PATNA-BALIA-3	Auto Recloser	D	For Shutdown of Parallel circuit	26-Mar-2025	09:00	26-Mar-2025	17:30	1	NLDC	
182	ER-I	A/R OF 400KV-NEW RANCHI-RANCHI-3	Auto Recloser	D	For live line PID works in 400KV Ranchi-New Ranchi-CKT-3 & shutdown in parallel Circuit	25-Mar-2025	08:00	31-Mar-2025	17:30	7		
183	ER-I	A/R OF 400KV-NEW RANCHI-RANCHI-4	Auto Recloser	D	For live line PID works in 400KV Ranchi-New Ranchi-CKT-4 & shutdown in parallel Circuit	17-Mar-2025	08:00	24-Mar-2025	17:30	8		
184	ER-I	A/R OF 400KV-JAMSHEDPUR-BARIPADA-1	Auto Recloser	D	work at parallel CKT	12-Mar-2025	09:00	12-Mar-2025	17:30	1		
185	ER-I	A/R OF 400KV-BARIPADA-TISCO-1	Auto Recloser	D	work at parallel CKT	11-Mar-2025	09:00	11-Mar-2025	17:30	1	DVC	
186	ER-I	A/R OF 400KV-RANCHI-NEW RANCHI-1	Auto Recloser	D	For live line PID works in 400KV Ranchi-New Ranchi-CKT-1 & shutdown in parallel Circuit	09-Mar-2025	08:00	16-Mar-2025	17:30	8		
187	ER-I	A/R OF 400KV-SAHARSA-KISHANGANJ-1	Auto Recloser	D	work at parallel CKT	08-Mar-2025	09:00	11-Mar-2025	17:30	4		

### Annex-I

Sr. No.	Name of Requesting Agency	Element Name	Element Type	Daily/ Continuous	Reason	Requested From Date	Requested From Time	Requested To Date	Requested To Time	No. of Days	Consent	Remarks
188	ER-I	A/R OF 400KV-SAHARSA-KISHANGANJ-2	Auto Recloser	D	work at parallel CKT	04-Mar-2025	09:00	07-Mar-2025	17:30	4		
189	ER-I	A/R OF 400KV-NEW RANCHI-RANCHI-4	Auto Recloser	D	Shutdown in Parallel Circuit at Multi Curcuit Tower	01-Mar-2025	08:00	01-Mar-2025	17:30	1		
190	ER-I	A/R OF 400KV-RANCHI-NEW RANCHI-2	Auto Recloser	D	For live line PID works in 400KV Ranchi-New Ranchi-CKT-2 & shutdown in parallel Circuit	01-Mar-2025	08:00	08-Mar-2025	17:30	8		
209	ER-I	400KV-GORAKHPUR-MOTIHARI-1	AC TRANSMISSION LINE CIRCUIT	D	Insulator replacement work	10-Mar-2025	08:00	10-Mar-2025	18:00	1	NLDC	
210	ER-I	765KV-GAYA-BALIA-1	AC TRANSMISSION LINE CIRCUIT	D	Insulator replacement work	03-Mar-2025	08:00	05-Mar-2025	18:00	3	NLDC	
217	ER-I	765KV-NEW RANCHI-DHARAMJAIGARH-1	AC TRANSMISSION LINE CIRCUIT	D	For A/R test at Dharamjaygarh end	25-Mar-2025	09:00	25-Mar-2025	18:00	1	NLDC	
218	ER-I	400KV-PUSAULI(PG)-DALTONGANJ-1	AC TRANSMISSION LINE CIRCUIT	D	LBB retrofitting works and SCADA validation for Tie Bay 408.	31-Mar-2025	09:00	31-Mar-2025	17:30	1	JUSNL	
219	ER-I	400KV-JAMSHEDPUR-TISCO-1	AC TRANSMISSION LINE CIRCUIT	D	For facilitating Hydra movement , assembling of 419 CB pole interrupters during overhauling work to maintain safe electrical clearance under charged area.	31-Mar-2025	09:00	31-Mar-2025	18:00	1	DVC	
220	ER-I	400KV-JAMSHEDPUR-TISCO-1	AC TRANSMISSION LINE CIRCUIT	D	For facilitating Hydra movement , dismantling of 419 CB pole interrupters during overhauling work to maintain safe electrical clearance under charged area	28-Mar-2025	09:00	28-Mar-2025	18:00	1	DVC	
221	ER-I	220KV-MUZAFFARPUR(PG)-MTPS-1	AC TRANSMISSION LINE CIRCUIT	C	Replacement of display of M2 Relay (REL 670)	27-Mar-2025	09:00	27-Mar-2025	17:30	1	BSPTCL	
222	ER-I	400KV-PATNA-BALIA-3	AC TRANSMISSION LINE CIRCUIT	D	Porcelain to polymer Insulator replacement wok	27-Mar-2025	09:00	27-Mar-2025	17:30	1	NLDC	
223	ER-I	400KV-JAMSHEDPUR-BARIPADA-1	AC TRANSMISSION LINE CIRCUIT	D	For facilitating Hydra movement , assembling of 418 CB pole interrupters during overhauling work to maintain safe electrical clearance under charged area.	27-Mar-2025	09:00	27-Mar-2025	18:00	1		
224	ER-I	400KV-NAUBATPUR(BH)-BALIA-2	AC TRANSMISSION LINE CIRCUIT	D	Porcelain to polymer Insulator replacement wok	26-Mar-2025	09:00	26-Mar-2025	17:30	1	NLDC	
225	ER-I	400KV-BIHARSARIFF(PG)-PUSAULI-1	AC TRANSMISSION LINE CIRCUIT	D	LBB retrofitting works and SCADA validation for L/R Bay 412R.	26-Mar-2025	09:00	26-Mar-2025	17:30	1		

### Annex-I

Sr. No.	Name of Requesting Agency	Element Name	Element Type	Daily/ Continuous	Reason	Requested From Date	Requested From Time	Requested To Date	Requested To Time	No. of Days	Consent	Remarks
226	ER-I	400KV-NEW RANCHI-RANCHI-4	AC TRANSMISSION LINE CIRCUIT	D	Replacement of Porcelain Disc insulator in all suspension tower of 400KV Ranchi-New Ranchi-CKT-4 by CLR	25-Mar-2025	08:00	31-Mar-2025	17:30	7		
227	ER-I	400KV-SAHARSA-KISHANGANJ-4	AC TRANSMISSION LINE CIRCUIT	D	For Wiring of interlock circuit of bus isolator and Earthswitch, Testing of Busbar protection. Shutdown of 400kv Kishanganj- saharsa ckt 3 & 400KV Main BUS-1 is also required to resolve the wiring issues at Kishanganj SS.	24-Mar-2025	09:00	24-Mar-2025	17:30	1		
228	ER-I	400KV-SAHARSA-KISHANGANJ-3	AC TRANSMISSION LINE CIRCUIT	D	For Wiring of interlock circuit of bus isolator and Earthswitch, Testing of Busbar protection. Shutdown of 400kv Kishanganj- saharsa ckt 4 & 400KV Main BUS-1 is also required to resolve the wiring issues at Kishanganj SS.	24-Mar-2025	09:00	24-Mar-2025	17:30	1		
229	ER-I	765KV-GAYA-BALIA-1	AC TRANSMISSION LINE CIRCUIT	D	Porcelain to polymer Insulator replacement wok	24-Mar-2025	09:00	24-Mar-2025	17:30	1	NLDC	
230	ER-I	400KV-BIHARSARIFF(PG)-PUSAULI-1	AC TRANSMISSION LINE CIRCUIT	D	LBB retrofitting works and SCADA validation for Main Bay 412.	24-Mar-2025	09:00	24-Mar-2025	17:30	1		
231	ER-I	400KV-JAMSHEDPUR-BARIPADA-1	AC TRANSMISSION LINE CIRCUIT	D	For facilitating Hydra movement , dismantling of 418 CB pole interrupters during overhauling work to maintain safe electrical clearance under charged area	24-Mar-2025	09:00	24-Mar-2025	18:00	1		
232	ER-I	400KV-JAMSHEDPUR-TISCO-1	AC TRANSMISSION LINE CIRCUIT	D	For facilitating Hydra movement , assembling of 420 CB pole interrupters during overhauling work to maintain safe electrical clearance under charged area.	22-Mar-2025	09:00	22-Mar-2025	18:00	1	DVC	
233	ER-I	400KV-KHARAGPUR-CHAIBASA-2	AC TRANSMISSION LINE CIRCUIT	D	FOR RELAY TESTING AT CHAIBASA SS	21-Mar-2025	09:30	21-Mar-2025	17:30	1	WB	
234	ER-I	400KV-KISHANGANJ(PG)-RANGPO-2	AC TRANSMISSION LINE CIRCUIT	D	Bay AMP and Line reactor maintenance work	21-Mar-2025	09:00	21-Mar-2025	17:30	1		
235	ER-I	400KV-DURGAPUR-KHSTPP-1	AC TRANSMISSION LINE CIRCUIT	C	For Erection, Testing and commissioning of 63 MVAR line reactor under ERES- XXIV	21-Mar-2025	09:00	31-Mar-2025	17:30	11		
236	ER-I	400KV-BIHARSARIFF(PG)-PUSAULI-1	AC TRANSMISSION LINE CIRCUIT	D	LBB retrofitting works and SCADA validation for Tie Bay 411.	21-Mar-2025	09:00	21-Mar-2025	17:30	1		

### Annex-I

Sr. No.	Name of Requesting Agency	Element Name	Element Type	Daily/ Continuous	Reason	Requested From Date	Requested From Time	Requested To Date	Requested To Time	No. of Days	Consent	Remarks
237	ER-I	400KV-LAKHISARAI-KHSTPP-2	AC TRANSMISSION LINE CIRCUIT	D	FOR INSTALLATION OF NGR IN 50 MVAR LINE REACTOR AT LAKHISARAI	20-Mar-2025	09:00	20-Mar-2025	17:30	1		
238	ER-I	400KV-JAMSHEDPUR-TISCO-1	AC TRANSMISSION LINE CIRCUIT	D	For facilitating Hydra movement , dismantling of 420 CB pole interrupters during overhauling work to maintain safe electrical clearance under charged area	20-Mar-2025	09:00	20-Mar-2025	18:00	1	DVC	
239	ER-I	400KV-KISHANGANJ(PG)-RANGPO-1	AC TRANSMISSION LINE CIRCUIT	D	Bay AMP and Line reactor maintenance work	19-Mar-2025	09:00	19-Mar-2025	17:30	1		
240	ER-I	400KV-JAMSHEDPUR-ANDAL-2	AC TRANSMISSION LINE CIRCUIT	D	For facilitating Hydra movement , assembling of 416 CB pole interrupters during overhauling work to maintain safe electrical clearance under charged area.	19-Mar-2025	09:00	19-Mar-2025	18:00	1	DVC	
241	ER-I	400KV-KHSTPP-LAKHISARAI-1	AC TRANSMISSION LINE CIRCUIT	D	FOR INSTALLATION OF NGR IN 50 MVAR LINE REACTOR AT LAKHISARAI	18-Mar-2025	09:00	18-Mar-2025	17:30	1		
242	ER-I	400KV-JAMSHEDPUR-ANDAL-2	AC TRANSMISSION LINE CIRCUIT	D	For facilitating Hydra movement , dismantling of 416 CB pole interrupters during overhauling work to maintain safe electrical clearance under charged area	17-Mar-2025	09:00	17-Mar-2025	18:00	1	DVC	
243	ER-I	400KV-NEW RANCHI-RANCHI-3	AC TRANSMISSION LINE CIRCUIT	D	Replacement of Porcelain Disc insulator in all suspension tower of 400KV Ranchi-New Ranchi-CKT-3 by CLR	17-Mar-2025	08:00	24-Mar-2025	17:30	8		
244	ER-I	400KV-BARIPADA-TISCO-1	AC TRANSMISSION LINE CIRCUIT	D	Flashed insulator replacement work at loc no.142 & other work	12-Mar-2025	09:00	12-Mar-2025	17:30	1	DVC	
245	ER-I	400KV-PUSAULI(PG)-ALLAHABAD-1	AC TRANSMISSION LINE CIRCUIT	D	LBB retrofitting works and SCADA validation for Bay 404R.	12-Mar-2025	09:00	12-Mar-2025	17:30	1	NLDC	
246	ER-I	400KV-JAMSHEDPUR-ANDAL-1	AC TRANSMISSION LINE CIRCUIT	D	For facilitating Hydra movement , assembling of 415 CB pole interrupters during overhauling work to maintain safe electrical clearance under charged area.	12-Mar-2025	09:00	12-Mar-2025	18:00	1	DVC	
247	ER-I	400KV-NEW PPSP-NEW RANCHI-1	AC TRANSMISSION LINE CIRCUIT	D	Switching in of associated Line Reactor for AMP of reactor	11-Mar-2025	18:00	11-Mar-2025	18:15	1	WB	
248	ER-I	400KV-KHARAGPUR-CHAIBASA-1	AC TRANSMISSION LINE CIRCUIT	D	AMP OF 400KV CHAIBASA-KHARAGPUR CKT#1 LINE BAY & LINE REACTOR AT CHAIBASA SS	11-Mar-2025	09:30	11-Mar-2025	17:30	1	WB	
249	ER-I	400KV-JAMSHEDPUR-BARIPADA-1	AC TRANSMISSION LINE CIRCUIT	D	Flashed insulator replacement work at loc 142 & other work	11-Mar-2025	09:00	11-Mar-2025	17:30	1		

### Annex-I

Sr. No.	Name of Requesting Agency	Element Name	Element Type	Daily/ Continuous	Reason	Requested From Date	Requested From Time	Requested To Date	Requested To Time	No. of Days	Consent	Remarks
250	ER-I	400KV-NEW PPS-NEW RANCHI-1	AC TRANSMISSION LINE CIRCUIT	D	FOR SWITCHING OUT OF ASSOCIATED NON SWITCHABLE LINE REACTOR for AMP of reactor	11-Mar-2025	09:00	11-Mar-2025	09:15	1	WB	
251	ER-I	400KV-PUSAULI(PG)-VARANASI-1	AC TRANSMISSION LINE CIRCUIT	D	LBB retrofitting works and SCADA validation for Main Bay 401R.	10-Mar-2025	09:00	10-Mar-2025	17:30	1	NLDC	
252	ER-I	400KV-JAMSHEDPUR-ANDAL-1	AC TRANSMISSION LINE CIRCUIT	D	For facilitating Hydra movement , dismantling of 415 CB pole interrupters during overhauling work to maintain safe electrical clearance under charged area	10-Mar-2025	09:00	10-Mar-2025	18:00	1	DVC	
253	ER-I	400KV-RANCHI-NEW RANCHI-2	AC TRANSMISSION LINE CIRCUIT	D	Replacement of Porcelain Disc insulator in all suspension tower of 400KV Ranchi-New Ranchi-CKT-2 by CLR	09-Mar-2025	08:00	16-Mar-2025	17:30	8		
254	ER-I	400KV-SAHARSA-KISHANGANJ-2	AC TRANSMISSION LINE CIRCUIT	D	Porcelain to polymer insulator replacement work by Purnea TLM	08-Mar-2025	09:00	11-Mar-2025	17:30	4		
255	ER-I	400KV-JAMSHEDPUR-BARIPADA-1	AC TRANSMISSION LINE CIRCUIT	D	For facilitating Hydra movement , assembling of 417 CB pole interrupters during overhauling work to maintain safe electrical clearance under charged area.	08-Mar-2025	09:00	08-Mar-2025	18:00	1		
256	ER-I	400KV-JAMSHEDPUR-ANDAL-2	AC TRANSMISSION LINE CIRCUIT	D	For facilitating Hydra movement , assembling of 417 CB pole interrupters during overhauling work to maintain safe electrical clearance under charged area.	08-Mar-2025	09:00	08-Mar-2025	18:00	1	DVC	
257	ER-I	400KV-NEW RANCHI-RANCHI-4	AC TRANSMISSION LINE CIRCUIT	D	FITTING GRADING RING(SIR AUDIT POINT)	07-Mar-2025	09:00	07-Mar-2025	17:30	1		
258	ER-I	220KV-ARRAH (PG)-NAUBATPUR(BH)-1	AC TRANSMISSION LINE CIRCUIT	D	220KV BUSBAR NUMERICAL RELAY RETROFITTING WORK (STABILITY TEST THROUGH PRIMARY INJECTION, BUSBAR TRIP TEST WITH CB, LBB TRIP TEST WITH CB)	07-Mar-2025	09:00	07-Mar-2025	17:30	1	BSPTCL	
259	ER-I	400KV-PUSAULI(PG)-ALLAHABAD-1	AC TRANSMISSION LINE CIRCUIT	C	LBB retrofitting works and SCADA validation for Bay 404 & 405	06-Mar-2025	09:00	07-Mar-2025	17:30	2	NLDC	

### Annex-I

Sr. No.	Name of Requesting Agency	Element Name	Element Type	Daily/ Continuous	Reason	Requested From Date	Requested From Time	Requested To Date	Requested To Time	No. of Days	Consent	Remarks
260	ER-I	220KV-ARRAH (PG)-NAUBATPUR(BH)-2	AC TRANSMISSION LINE CIRCUIT	D	220KV BUSBAR NUMERICAL RELAY RETROFITTING WORK (STABILITY TEST THROUGH PRIMARY INJECTION, BUSBAR TRIP TEST WITH CB, LBB TRIP TEST WITH CB)	06-Mar-2025	09:00	06-Mar-2025	17:30	1	BSPTCL	
261	ER-I	400KV-BIHARSARIFF(PG)-LAKHISARA(PG)-2	AC TRANSMISSION LINE CIRCUIT	D	Porcelain to polymer insulator replacement work at loc 476 & 480	06-Mar-2025	09:00	06-Mar-2025	17:30	1		
262	ER-I	400KV-SAHARSA-KISHANGANJ-4	AC TRANSMISSION LINE CIRCUIT	D	Line Bay and Line reactor maintenance work at Kishanganj SS	05-Mar-2025	09:00	05-Mar-2025	17:30	1		
263	ER-I	220KV-ARRAH (PG)-DUMRAON NEW-1	AC TRANSMISSION LINE CIRCUIT	D	220KV BUSBAR NUMERICAL RELAY RETROFITTING WORK (STABILITY TEST THROUGH PRIMARY INJECTION, BUSBAR TRIP TEST WITH CB, LBB TRIP TEST WITH CB)	05-Mar-2025	09:00	05-Mar-2025	17:30	1	BSPTCL	
264	ER-I	220KV-PUSAULI-NADHOKAR-1	AC TRANSMISSION LINE CIRCUIT	D	AMP work of Line Bay and main bay equipment	05-Mar-2025	09:00	05-Mar-2025	17:30	1	BSPTCL	
265	ER-I	400KV-JAMSHEDPUR-BARIPADA-1	AC TRANSMISSION LINE CIRCUIT	D	For facilitating Hydra movement , dismantling of 417 CB pole interrupters during overhauling work to maintain safe electrical clearance under charged area	05-Mar-2025	09:00	05-Mar-2025	18:00	1		
266	ER-I	400KV-JAMSHEDPUR-ANDAL-2	AC TRANSMISSION LINE CIRCUIT	D	For facilitating Hydra movement , dismantling of 417 CB pole interrupters during overhauling work to maintain safe electrical clearance under charged area	05-Mar-2025	09:00	05-Mar-2025	18:00	1	DVC	
267	ER-I	400KV-NEW RANCHI-RANCHI-3	AC TRANSMISSION LINE CIRCUIT	D	FITTING GRADING RING(SIR AUDIT POINT)	04-Mar-2025	09:00	04-Mar-2025	17:30	1		
268	ER-I	220KV-ARRAH (PG)-DUMRAON NEW-2	AC TRANSMISSION LINE CIRCUIT	D	220KV BUSBAR NUMERICAL RELAY RETROFITTING WORK (STABILITY TEST THROUGH PRIMARY INJECTION, BUSBAR TRIP TEST WITH CB, LBB TRIP TEST WITH CB)	04-Mar-2025	09:00	04-Mar-2025	17:30	1	BSPTCL	
269	ER-I	400KV-BIHARSARIFF(PG)-LAKHISARA(PG)-1	AC TRANSMISSION LINE CIRCUIT	D	Porcelain to polymer insulator replacement work at 476 & 480	04-Mar-2025	09:00	04-Mar-2025	17:30	1		

### Annex-I

Sr. No.	Name of Requesting Agency	Element Name	Element Type	Daily/ Continuous	Reason	Requested From Date	Requested From Time	Requested To Date	Requested To Time	No. of Days	Consent	Remarks
270	ER-I	400KV-SAHARSA-KISHANGANJ-1	AC TRANSMISSION LINE CIRCUIT	D	Porcelain to polymer insulator replacement work by Purnea TLM	04-Mar-2025	09:00	07-Mar-2025	17:30	4		
271	ER-I	765KV-GAYA-VARANASI-1	AC TRANSMISSION LINE CIRCUIT	D	Flash insulator replacement work at loc 224	04-Mar-2025	09:00	04-Mar-2025	17:30	1	NLDC	
272	ER-I	400KV-SAHARSA-KISHANGANJ-3	AC TRANSMISSION LINE CIRCUIT	D	Line Bay and Line reactor maintenance work at Kishanganj SS	03-Mar-2025	09:00	03-Mar-2025	17:30	1		
273	ER-I	400KV-PUSAULI(PG)-VARANASI-1	AC TRANSMISSION LINE CIRCUIT	C	LBB retrofitting works and SCADA validation for Main Bay 401 & 402	03-Mar-2025	09:00	04-Mar-2025	17:30	2	NLDC	
123	PG (ODISHA PROJECT)	50MVAR SWITCHABLE L/R OF 400KV-BARIPADA-KEONJHOR(PG)-1 AT BARIPADA	LINE REACTOR	D	AMP of LR & it's Bay	11-Mar-2025	10:00	11-Mar-2025	18:00	1		
124	PG (ODISHA PROJECT)	400KV-JHARSUGUDA-RAIGARH-3	AC TRANSMISSION LINE CIRCUIT	D	Reconductoring work Sundargarh Rourkela #3&4 Multicircuit in LILO#3 & LILO-4 (Multicircuit to DC & DC to MC)	21-Mar-2025	07:00	24-Mar-2025	18:00	4	NLDC	
178	PG (ODISHA PROJECT)	400KV MAIN BAY OF - 400KV-FILTER BANK-2 AT TALCHER HVDC	Bay	D	Annual maintenance of AC FILTER 10CF25 MAIN BAY	11-Mar-2025	09:00	11-Mar-2025	19:00	1	NLDC	
179	PG (ODISHA PROJECT)	765KV-JHARSUGUDA-RAIPUR PS (DURG)-2	AC TRANSMISSION LINE CIRCUIT	D	Line terminal equipment's AMP work	18-Mar-2025	09:00	18-Mar-2025	17:30	1	NLDC	
191	PG (ODISHA PROJECT)	765KV-DHARAMJAIGARH-JHARSUGUDA-1	AC TRANSMISSION LINE CIRCUIT	C	Shutdown of OPGW Link is required for line diversion work in between existing tower no- 408 to 409 due to construction of NH-130A under Bharatmala Pariyojna.	28-Mar-2025	08:00	31-Mar-2025	18:00	4	NLDC	
192	PG (ODISHA PROJECT)	765KV-DHARAMJAIGARH-JHARSUGUDA-2	AC TRANSMISSION LINE CIRCUIT	C	Shutdown of both lines are required for line diversion work in between existing tower no- 408 to 409 due to construction of NH-130A under Bharatmala Pariyojna	16-Mar-2025	08:00	31-Mar-2025	18:00	16	NLDC	
193	PG (ODISHA PROJECT)	765KV-DHARAMJAIGARH-JHARSUGUDA-1	AC TRANSMISSION LINE CIRCUIT	C	Shutdown of both lines are required for line diversion work in between existing tower no- 408 to 409 due to construction of NH-130A under Bharatmala Pariyojna	16-Mar-2025	08:00	31-Mar-2025	18:00	16	NLDC	
194	PG (ODISHA PROJECT)	220KV-BUDHIPADAR-KORBA-3	AC TRANSMISSION LINE CIRCUIT	C	For CB/Isolator retrofitting works under ADD-CAP	03-Mar-2025	08:00	11-Mar-2025	18:00	9	NLDC/GRIDCO	approved
195	PG (ODISHA PROJECT)	A/R OF 400KV-ANGUL-JITPL-1	Auto Recloser	D	AR To be kept in non auto mode for replacement of existing E/W with OPGW under OPGW reliable package.	01-Mar-2025	09:00	07-Mar-2025	18:00	7	JITPL	

### Annex-I

Sr. No.	Name of Requesting Agency	Element Name	Element Type	Daily/ Continuous	Reason	Requested From Date	Requested From Time	Requested To Date	Requested To Time	No. of Days	Consent	Remarks
196	PG (ODISHA PROJECT)	A/R OF 765KV-ANGUL-SRIKAKULAM-1	Auto Recloser	D	AR to be kept in Non Auto mode for OPGW Rectification after final checking	01-Mar-2025	09:00	07-Mar-2025	18:00	7	NLDC	
197	PG (ODISHA PROJECT)	765KV/400KV 1500 MVA ICT 3 AT ANGUL	TRANSFORMER	D	Protection Trip modification work	12-Mar-2025	09:00	12-Mar-2025	15:00	1	NLDC	
198	PG (ODISHA PROJECT)	765KV/400KV 1500 MVA ICT 2 AT ANGUL	TRANSFORMER	D	Protection Trip modification work	11-Mar-2025	09:00	11-Mar-2025	15:00	1	NLDC	
199	PG (ODISHA PROJECT)	330MVAR 765KV B/R-2 AT ANGUL	BUS REACTOR	D	AMPWorks	13-Mar-2025	09:00	13-Mar-2025	15:00	1	NLDC	
200	PG (ODISHA PROJECT)	400KV MAIN BAY OF JHARSUGUDA-II AT ROURKELA	Bay	D	For Bus Stability of CT of Main Bay of 400 kV Ranchi #2 (421) with Main Bay of Sng #2 (430)	14-Mar-2025	09:00	14-Mar-2025	18:00	1		
201	PG (ODISHA PROJECT)	400KV MAIN BAY OF RANCHI-I AT ROURKELA	Bay	D	For Bus Stability of CT of Main Bay of 400 kV Sng #3( 419) with Main Bay of Ranchi#1 (428)	15-Mar-2025	09:00	15-Mar-2025	18:00	1		
202	PG (ODISHA PROJECT)	400KV MAIN BAY OF JHARSUGUDA-III AT ROURKELA	Bay	D	For Bus Stability of CT of Main Bay of 400 kV Chaibasa #1 (416) with Main Bay of Sng #3 (419)	14-Mar-2025	09:00	14-Mar-2025	18:00	1		
203	PG (ODISHA PROJECT)	400KV MAIN BAY OF RANCHI-II AT ROURKELA	Bay	D	For Bus Stability of CT of Main Bay of 400 kV Sng #1( 418) with Main Bay of Ranchi#2 (421)	15-Mar-2025	09:00	15-Mar-2025	18:00	1		
204	PG (ODISHA PROJECT)	400KV TIE BAY OF (JHARSUGUDA-II AND RANCHI-I) AT ROURKELA	Bay	D	CT OIL SAMPLING FOR DGA AFTER ONE MONTH OF CHARGING	03-Mar-2025	14:00	03-Mar-2025	16:00	1		
205	PG (ODISHA PROJECT)	400KV MAIN BAY OF RANCHI-I AT ROURKELA	Bay	D	CT OIL SAMPLING FOR DGA AFTER ONE MONTH OF CHARGING	03-Mar-2025	11:00	03-Mar-2025	13:00	1		
206	PG (ODISHA PROJECT)	400KV MAIN BAY OF JHARSUGUDA-II AT ROURKELA	Bay	D	CT OIL SAMPLING FOR DGA AFTER ONE MONTH OF CHARGING	03-Mar-2025	09:00	03-Mar-2025	11:00	1		
207	PG (ODISHA PROJECT)	400KV TIE BAY OF (JHARSUGUDA-I AND CHAIBASA(PG)-I) AT ROURKELA	Bay	D	AMP Works	26-Mar-2025	09:00	26-Mar-2025	17:00	1		
208	PG (ODISHA PROJECT)	400KV MAIN BAY OF JHARSUGUDA-I AT ROURKELA	Bay	D	AMP Works	14-Mar-2025	09:00	14-Mar-2025	17:00	1		
211	PG (ODISHA PROJECT)	400KV MAIN BAY OF CHAIBASA(PG)-I AT ROURKELA	Bay	D	AMP Works	16-Mar-2025	09:00	16-Mar-2025	17:00	1		
212	PG (ODISHA PROJECT)	400KV MAIN BAY OF STATCOM AT ROURKELA	Bay	D	AMP	10-Mar-2025	09:00	10-Mar-2025	17:00	1		
213	PG (ODISHA PROJECT)	-150MVAR VSC-2 OF STATCOM AT ROURKELA	STATCOM	D	AMP Works	12-Mar-2025	09:00	12-Mar-2025	16:00	1		

### Annex-I

Sr. No.	Name of Requesting Agency	Element Name	Element Type	Daily/ Continuous	Reason	Requested From Date	Requested From Time	Requested To Date	Requested To Time	No. of Days	Consent	Remarks
214	PG (ODISHA PROJECT)	-150MVAR VSC-1 OF STATCOM AT ROURKELA	STATCOM	D	AMP Works	11-Mar-2025	09:00	11-Mar-2025	16:00	1		
215	PG (ODISHA PROJECT)	125MVAR MSR-2 OF STATCOM AT ROURKELA	STATCOM	D	AMP Works	07-Mar-2025	09:00	07-Mar-2025	16:00	1		
216	PG (ODISHA PROJECT)	125MVAR MSR-1 OF STATCOM AT ROURKELA	STATCOM	D	AMP Works	06-Mar-2025	09:00	06-Mar-2025	16:00	1		
278	PG (ODISHA PROJECT)	400KV/220KV 315 MVA ICT 3 AT ROURKELA	TRANSFORMER	D	CSD TUNNING	18-Mar-2025	09:00	18-Mar-2025	13:00	1	GRIDCO	
279	PG (ODISHA PROJECT)	400KV/220KV 315 MVA ICT 1 AT ROURKELA	TRANSFORMER	D	CSD TUNNING	18-Mar-2025	09:00	18-Mar-2025	13:00	1	GRIDCO	
280	PG (ODISHA PROJECT)	400KV/220KV 315 MVA ICT 4 AT ROURKELA	TRANSFORMER	D	CSD TUNNING	13-Mar-2025	09:00	13-Mar-2025	13:00	1	GRIDCO	
281	PG (ODISHA PROJECT)	400KV/220KV 315 MVA ICT 2 AT ROURKELA	TRANSFORMER	D	CSD TUNNING	13-Mar-2025	09:00	13-Mar-2025	13:00	1	GRIDCO	
357	PG (ODISHA PROJECT)	A/R OF 400KV-JHARSUGUDA-ROURKELA-2	Auto Recloser	C	Reconductoring of 400 KV ROURKELA-SUNDARGARH #4 and stringing between TN9 and TN10 (Power Line crossing)	01-Mar-2025	08:00	10-Mar-2025	18:00	10		
363	PG (ODISHA PROJECT)	A/R OF 400KV-RANCHI-ROURKELA-1	Auto Recloser	C	Bay Upgradation Work on Main Bay(421) & Tie Bay(420) & REPLACEMENT OF STRUNG BUS OVER MAIN BAY and reconductoring in MC Tower 394 to 398	01-Mar-2025	08:00	15-Mar-2025	18:00	15		
364	PG (ODISHA PROJECT)	A/R OF 400KV-ROURKELA-CHAIBASA-2	Auto Recloser	C	Bay Upgradation Work on Main Bay(416) & Tie Bay(417) For Bay Upgradation & Strung Bus replacement over Main Bay of Chaibasa #1	01-Mar-2025	08:00	31-Mar-2025	18:00	31		
382	PG (ODISHA PROJECT)	A/R OF 400KV-JHARSUGUDA-ROURKELA-3	Auto Recloser	C	Bay Upgradation Work on Line Bay (418L),Main Bay(418) & Tie Bay(417)	01-Mar-2025	08:00	31-Mar-2025	18:00	31		
383	PG (ODISHA PROJECT)	A/R OF 400KV-ROURKELA-JHARSUGUDA-1	Auto Recloser	C	Reconductoring activity & Bay Upgradation Work on Line Bay (419L),Main Bay(419) & Tie Bay(420)	01-Mar-2025	08:00	15-Mar-2025	18:00	15		
384	PG (ODISHA PROJECT)	A/R OF 400KV-JHARSUGUDA-ROURKELA-3	Auto Recloser	D	AMP OF LINE BAY EQUIPMENT & LINE RECTOR SUNDARGARH #1	24-Mar-2025	09:00	24-Mar-2025	18:00	1		
385	PG (ODISHA PROJECT)	A/R OF 400KV-ROURKELA-CHAIBASA-2	Auto Recloser	D	AMP OF LINE BAY EQUIPMENT CHAIBASA#1	21-Mar-2025	08:00	21-Mar-2025	18:00	1		

### Annex-I

Sr. No.	Name of Requesting Agency	Element Name	Element Type	Daily/ Continuous	Reason	Requested From Date	Requested From Time	Requested To Date	Requested To Time	No. of Days	Consent	Remarks
391	PG (ODISHA PROJECT)	765KV MAIN BAY OF RAIPUR-I AT JHARSUGUDA	Bay	C	For rectification of DCRM signature by OEM.	20-Mar-2025	08:00	25-Mar-2025	17:00	6	NLDC	
392	PG (ODISHA PROJECT)	765KV MAIN BAY OF RAIPUR-II AT JHARSUGUDA	Bay	C	For rectification of DCRM signature by OEM.	26-Mar-2025	08:00	31-Mar-2025	17:00	6	NLDC	
393	PG (ODISHA PROJECT)	A/R OF 400KV-JHARSUGUDA-RAIGARH-4	Auto Recloser	C	For Reconductoring work of 400KV SNG-RKL line #2 under Sundargarh TL office jurisdiction	01-Mar-2025	08:00	31-Mar-2025	18:00	31	NLDC	
394	PG (ODISHA PROJECT)	FSC OF 400KV-RENGALI-INDRAVATI-1 AT RENGALI	FSC	C	FSC REFURBISHMENT	01-Mar-2025	09:00	31-Mar-2025	18:00	31		
395	PG (ODISHA PROJECT)	FSC OF 400KV-JEYPORE-GAZUWAKA-2 AT JEYPORE	FSC	C	FSC REFURBISHMENT	01-Mar-2025	09:00	31-Mar-2025	18:00	31	NLDC	
396	PG (ODISHA PROJECT)	FSC OF 400KV-JEYPORE-GAZUWAKA-1 AT JEYPORE	FSC	C	FSC REFURBISHMENT	01-Mar-2025	09:00	31-Mar-2025	18:00	31	NLDC	
397	PG (ODISHA PROJECT)	400KV MAIN BUS - 2 AT JEYPORE	BUS	D	For Erection of GIS Bus duct of 400KV GIS Substation Extension package-112 under TBCB	23-Mar-2025	09:00	31-Mar-2025	17:00	9	GRIDCO	
399	PG (ODISHA PROJECT)	400KV MAIN BAY OF RENGALI AT INDRAVATI(PG)	Bay	D	AMP of Main bay 403 At Indravati	21-Mar-2025	09:00	21-Mar-2025	18:00	1		
400	PG (ODISHA PROJECT)	400KV/220KV 500 MVA ICT 3 AT BARIPADA(PG)	TRANSFORMER	D	Implementation of Recent Circular from CC-AM	04-Mar-2025	09:00	04-Mar-2025	13:00	1	GRIDCO	
401	PG (ODISHA PROJECT)	63MVAR SWITCHABLE L/R OF 400KV-BARIPADA(PG)-NEW DUBURI-1 AT BARIPADA(PG)	LINE REACTOR	D	AMP of LR & it's Bay	18-Mar-2025	09:00	18-Mar-2025	17:00	1		
402	PG (ODISHA PROJECT)	132KV-BARIPADA(PG)-BANGIRIPOSHI-2	AC TRANSMISSION LINE CIRCUIT	D	Closing of Punch points after commissioning work	07-Mar-2025	09:00	07-Mar-2025	18:00	1		
403	PG (ODISHA PROJECT)	240MVAR 765KV B/R-2 AT JHARSUGUDA	BUS REACTOR	D	Spare Rotation	03-Mar-2025	09:00	03-Mar-2025	15:00	1	NLDC	
404	PG (ODISHA PROJECT)	240MVAR SWITCHABLE L/R OF 765KV-JHARSUGUDA-RAIPUR (DURG)-1 AT JHARSUGUDA	LINE REACTOR	D	Reactor Bay AMP (NCT Testing), Relay Testing	13-Mar-2025	07:00	13-Mar-2025	18:00	1	NLDC	
409	PG (ODISHA PROJECT)	765KV-JHARSUGUDA-DARLIPALI-1	AC TRANSMISSION LINE CIRCUIT	D	Line Bay AMP	06-Mar-2025	08:00	06-Mar-2025	18:00	1	NLDC	
441	PG (ODISHA PROJECT)	80MVAR 400KV B/R-1 AT KEONJHAR	BUS REACTOR	D	AMP WORK & TIE BAY CSD REPLACEMENT	19-Mar-2025	09:00	19-Mar-2025	17:00	1		
442	PG (ODISHA PROJECT)	80MVAR 400KV B/R-1 AT NEW DUBURI	BUS REACTOR	D	AMP Work	07-Mar-2025	09:00	07-Mar-2025	17:00	1		

### Annex-I

Sr. No.	Name of Requesting Agency	Element Name	Element Type	Daily/ Continuous	Reason	Requested From Date	Requested From Time	Requested To Date	Requested To Time	No. of Days	Consent	Remarks
443	PG (ODISHA PROJECT)	400KV/220KV 315 MVA ICT 1 AT JEYPORE	TRANSFORMER	C	ICT-1 replacement works	01-Mar-2025	09:00	31-Mar-2025	18:00	31	GRIDCO	
445	PG (ODISHA PROJECT)	125MVAR 400KV B/R-2 AT JEYPORE	BUS REACTOR	D	AMP Works	19-Mar-2025	09:00	19-Mar-2025	17:00	1		
447	PG (ODISHA PROJECT)	50MVAR SWITCHABLE L/R OF 400KV-BOLANGIR-JEYPORE-1 AT BOLANGIR	LINE REACTOR	D	AMP of 50 MVAR Jeypore Line Reactor along with Line Reactor Bay AMP (403R BAY) at BOLANGIR	04-Mar-2025	09:00	04-Mar-2025	17:00	1		
448	PG (ODISHA PROJECT)	400KV-JEYPORE-BOLANGIR-1	AC TRANSMISSION LINE CIRCUIT	D	AMP of 400KV Bolangir-Jeypore line bay	05-Mar-2025	09:00	05-Mar-2025	17:00	1	NLDC	
449	PG (ODISHA PROJECT)	400KV-BOLANGIR (PG)-ANGUL-1	AC TRANSMISSION LINE CIRCUIT	D	AMP of 400KV Bolangir-Angul line bay	06-Mar-2025	09:00	06-Mar-2025	17:00	1	NLDC	
450	PG (ODISHA PROJECT)	400KV-RENGALI-INDRAVATI-1	AC TRANSMISSION LINE CIRCUIT	D	AMP of Line Bay 403L	06-Mar-2025	09:00	06-Mar-2025	17:00	1	NLDC	
451	PG (ODISHA PROJECT)	400KV-JEYPORE-INDRAVATI-1	AC TRANSMISSION LINE CIRCUIT	D	AMP of Line Bay 401L	07-Mar-2025	09:00	07-Mar-2025	17:00	1	NLDC	
489	PG (ODISHA PROJECT)	400KV-JHARSUGUDA-RAIGARH-2	AC TRANSMISSION LINE CIRCUIT	D	To facilitating the reconductoring work at 400KV Sundargarh Rourkela#2 at LIL0#2 crossing TNO-340	03-Mar-2025	07:00	08-Mar-2025	18:00	6	NLDC	
490	PG (ODISHA PROJECT)	A/R OF 400KV-JHARSUGUDA-RAIGARH-1	Auto Recloser	D	for completion of CEA punch points of said line or defect rectifications for reconductoring works all defective 160KN porcelain insulator replacement work at 400KV Sundargarh Raigarh#3	21-Mar-2025	07:00	24-Mar-2025	18:00	4	NLDC	
491	PG (ODISHA PROJECT)	A/R OF 400KV-JHARSUGUDA-RAIGARH-3	Auto Recloser	D	For Reconductoring work of 400KV SNG-RKL line #3 under Sundargarh TL office jurisdiction (On daily basis)	01-Mar-2025	07:00	31-Mar-2025	18:00	31	NLDC	
492	PG (ODISHA PROJECT)	A/R OF 400KV-JHARSUGUDA-RAIGARH-2	Auto Recloser	D	For Reconductoring work of 400KV SNG-RKL line LIL0#2 under Sundargarh TLM office jurisdiction (On daily basis)	01-Mar-2025	07:00	31-Mar-2025	18:00	31	NLDC	
40	WBSETCL	125MVAR 400KV B/R-2 AT NEW CHANDITALA	BUS REACTOR	D	DCRM of CB & allied work.	19-Mar-2025	06:00	21-Mar-2025	16:00	3		
41	WBSETCL	400KV MAIN BUS - 2 AT NEW CHANDITALA	BUS	D	Maintenance of MBI(PGI) of Main Bus-2	24-Mar-2025	06:00	28-Mar-2025	16:00	5		
42	WBSETCL	400KV MAIN BUS - 1 AT NEW CHANDITALA	BUS	D	Maintenance of MBI(PGI) of Main Bus-1	19-Mar-2025	06:00	23-Mar-2025	15:00	5		
43	WBSETCL	220KV-SUBHASGRAM(PG)-SUBHASGRAM(WB)-2	AC TRANSMISSION LINE CIRCUIT	D	220KV NEW BUSBAR DIFFERENTIAL TRIPPING SCHEME CHECKING	04-Mar-2025	06:00	04-Mar-2025	16:00	1		

### Annex-I

Sr. No.	Name of Requesting Agency	Element Name	Element Type	Daily/ Continuous	Reason	Requested From Date	Requested From Time	Requested To Date	Requested To Time	No. of Days	Consent	Remarks
44	WBSETCL	220KV-SUBHASGRAM(PG)-SUBHASGRAM(WB)-1	AC TRANSMISSION LINE CIRCUIT	D	220KV NEW BUSBAR DIFFERENTIAL TRIPPING SCHEME CHECKING	03-Mar-2025	05:00	03-Mar-2025	16:00	1		
355	WBSETCL	220KV-RAJARHAT-BARASAT-2	AC TRANSMISSION LINE CIRCUIT	D	RESAGGING AT TL NO 50-51	16-Mar-2025	06:00	16-Mar-2025	16:00	1		
356	WBSETCL	220KV-RAJARHAT-BARASAT-1	AC TRANSMISSION LINE CIRCUIT	D	RESAGGING AT TL NO 50-51	10-Mar-2025	06:00	10-Mar-2025	16:00	1		
453	WBSETCL	400KV MAIN BUS - 1 AT ARAMBAGH	BUS	D	Bus Coupler Breaker Timing	07-Mar-2025	06:00	07-Mar-2025	15:00	1		
456	WBSETCL	400KV-JEERAT-SAGARDIGHI-1	AC TRANSMISSION LINE CIRCUIT	D	Maintenance and condition monitoring of bay equipment's.	13-Mar-2025	06:00	13-Mar-2025	16:00	1		
457	WBSETCL	400KV-JEERAT-NEW CHANDITALA-1	AC TRANSMISSION LINE CIRCUIT	D	Maintenance and condition monitoring of bay equipment's.	04-Mar-2025	06:00	04-Mar-2025	16:00	1		
458	WBSETCL	400KV/220KV 315 MVA ICT 4 AT JEERAT	TRANSFORMER	D	Maintenance and condition monitoring of Transformer	10-Mar-2025	06:00	10-Mar-2025	16:00	1		
459	WBSETCL	400KV/220KV 315 MVA ICT 3 AT JEERAT	TRANSFORMER	D	Maintenance and condition monitoring of Transformer	06-Mar-2025	06:00	06-Mar-2025	16:00	1		
485	WBSETCL	400KV-KOLAGHAT-KHARAGPUR-2	AC TRANSMISSION LINE CIRCUIT	D	Tree Trimming	20-Mar-2025	06:00	21-Mar-2025	15:00	2		
486	WBSETCL	400KV-KHARAGPUR-KOLAGHAT-1	AC TRANSMISSION LINE CIRCUIT	D	Tree Trimming	17-Mar-2025	06:00	18-Mar-2025	15:00	2		
487	WBSETCL	400KV-SUBHASGRAM-HALDIA-2	AC TRANSMISSION LINE CIRCUIT	D	Upgradation of SAS	08-Mar-2025	07:00	09-Mar-2025	17:00	2		
488	WBSETCL	400KV-SUBHASGRAM-HALDIA-1	AC TRANSMISSION LINE CIRCUIT	D	Upgradation of SAS	01-Mar-2025	07:00	02-Mar-2025	17:00	2		
8	DVC	220KV-JAMSHEDPUR-JINDAL-1	AC TRANSMISSION LINE CIRCUIT	D	Annual maintenance of CT, LA,CB, Isolator with relay maintenance & line maintenance for jumper tightness checking,repair of earthwire at location-162 & 161 & repair of conductor at location 160-161.	19-Mar-2025	09:00	19-Mar-2025	17:00	1	GRIDCO	
117	BSPTCL	125MVAR 400KV B/R-2 AT NAUBATPUR(BH)	BUS REACTOR	D	For CSD commissioning work	07-Mar-2025	08:00	08-Mar-2025	18:00	2		
118	BSPTCL	125MVAR 400KV B/R-1 AT NAUBATPUR(BH)	BUS REACTOR	D	For CSD commissioning work	05-Mar-2025	08:00	06-Mar-2025	18:00	2		
119	BSPTCL	220KV-PATNA-KHAGAUL-1	AC TRANSMISSION LINE CIRCUIT	C	For safety purpose during the reductoring of 132 kv Khagaul-Digha ckt 1 & ckt 2	03-Mar-2025	08:00	04-Mar-2025	18:00	2		
173	BSPTCL	125MVAR 400KV B/R-2 AT NAUBATPUR(BH)	BUS REACTOR	D	Commissioning of CSD Relays	07-Mar-2025	08:00	08-Mar-2025	18:00	2		
174	BSPTCL	125MVAR 400KV B/R-1 AT NAUBATPUR(BH)	BUS REACTOR	D	Commissioning of CSD Relays	05-Mar-2025	08:00	06-Mar-2025	18:00	2		
175	BSPTCL	400KV MAIN BAY OF 125MVAR B/R-2 AT NAUBATPUR(BH)	Bay	D	Commissioning of CSD Relays	07-Mar-2025	08:00	08-Mar-2025	18:00	2		
176	BSPTCL	400KV MAIN BAY OF 125MVAR B/R-1 AT NAUBATPUR(BH)	Bay	D	Commissioning of CSD Relays	05-Mar-2025	08:00	06-Mar-2025	18:00	2		

### Annex-I

Sr. No.	Name of Requesting Agency	Element Name	Element Type	Daily/ Continuous	Reason	Requested From Date	Requested From Time	Requested To Date	Requested To Time	No. of Days	Consent	Remarks
177	BSPTCL	400KV TIE BAY OF ( 125MVAR B/R-1 AND 125MVAR B/R-2) AT NAUBATPUR(BH)	Bay	D	Commissioning of CSD Relays	05-Mar-2025	08:00	08-Mar-2025	18:00	4		
405	BSPTCL	400KV/220KV 500 MVA ICT 2 AT JAKKANPUR(BH)	TRANSFORMER	D	AMP & CSD fine tuning.	05-Mar-2025	08:00	05-Mar-2025	16:00	1		
406	BSPTCL	400KV/220KV 500 MVA ICT 1 AT JAKKANPUR(BH)	TRANSFORMER	D	AMP & CSD fine tuning.	04-Mar-2025	08:00	04-Mar-2025	16:00	1		
407	BSPTCL	400KV MAIN BUS - 2 AT JAKKANPUR(BH)	BUS	C	For HV Test	17-Mar-2025	08:00	18-Mar-2025	16:00	2		
408	BSPTCL	400KV MAIN BUS - 1 AT JAKKANPUR(BH)	BUS	C	For HV Test	15-Mar-2025	08:00	16-Mar-2025	16:00	2		
410	BSPTCL	220KV MAIN BUS - 1 AT BODHGAYA	BUS	D	For jack bus replacement work of 150 MVA ICT 1 & ICT 2	11-Mar-2025	08:00	12-Mar-2025	16:00	2		
411	BSPTCL	220KV MAIN BUS - 1 AT BODHGAYA	BUS	C	For bus bar replacement work	04-Mar-2025	08:00	06-Mar-2025	18:00	3		
412	BSPTCL	220KV-PUSAULI-DEHRI-1	AC TRANSMISSION LINE CIRCUIT	D	Line and bay maintenance work	19-Mar-2025	08:00	19-Mar-2025	16:00	1		
413	BSPTCL	220KV-DEHRI-GAYA-2	AC TRANSMISSION LINE CIRCUIT	D	Line and bay maintenance work	16-Mar-2025	08:00	16-Mar-2025	16:00	1		
414	BSPTCL	220KV-DEHRI-GAYA-1	AC TRANSMISSION LINE CIRCUIT	D	Line and bay maintenance work	04-Mar-2025	08:00	04-Mar-2025	16:00	1		
416	BSPTCL	132KV-CHANDAUTI (PMTL)-SONENAGAR (BH)-1	AC TRANSMISSION LINE CIRCUIT	D	For over head crossing work for LILO of 132 kV Sonenagar -Chandauti at Daudnagar	08-Mar-2025	08:00	09-Mar-2025	18:00	2		
417	BSPTCL	220KV-CHANDAUTI (PMTL)-SONENAGAR-1	AC TRANSMISSION LINE CIRCUIT	D	For over head crossing work for LILO of 132 kV Sonenagar -Chandauti at Daudnagar	07-Mar-2025	08:00	07-Mar-2025	17:00	1		
418	BSPTCL	220KV-CHANDAUTI (PMTL)-SONENAGAR-2	AC TRANSMISSION LINE CIRCUIT	D	For over head crossing work for LILO of 132 kV Sonenagar -Chandauti at Daudnagar	07-Mar-2025	08:00	07-Mar-2025	17:00	1		
419	BSPTCL	220KV-DARBHANGA (DMTCL)-SAMASTIPUR-1	AC TRANSMISSION LINE CIRCUIT	D	For line maintenance work	03-Mar-2025	08:00	05-Mar-2025	16:00	3		
420	BSPTCL	220KV-DARBHANGA(DMTCL)-LAUKAHI-1	AC TRANSMISSION LINE CIRCUIT	D	Line maintenance work	05-Mar-2025	08:00	06-Mar-2025	16:00	2		
421	BSPTCL	220KV-DARBHANGA(DMTCL)-LAUKAHI-2	AC TRANSMISSION LINE CIRCUIT	D	Line maintenance work	05-Mar-2025	08:00	06-Mar-2025	16:00	2		
422	BSPTCL	132KV-MOTIHARI (DMTCL)-RAXAUL-1	AC TRANSMISSION LINE CIRCUIT	D	For line maintenance work	05-Mar-2025	08:00	10-Mar-2025	16:00	6		
423	BSPTCL	132KV-MOTIHARI (DMTCL)-RAXAUL-2	AC TRANSMISSION LINE CIRCUIT	D	For line maintenance work	05-Mar-2025	08:00	10-Mar-2025	16:00	6		
424	BSPTCL	220KV-SITAMARHI-RAXAUL(NEW)-1	AC TRANSMISSION LINE CIRCUIT	D	For line maintenance work	01-Mar-2025	08:00	04-Mar-2025	16:00	4		
425	BSPTCL	220KV-SITAMARHI-RAXAUL(NEW)-2	AC TRANSMISSION LINE CIRCUIT	D	For line maintenance work	01-Mar-2025	08:00	04-Mar-2025	16:00	4		
426	BSPTCL	132KV-CHANDAUTI (PMTL)-RAFIGANJ (BH)-1	AC TRANSMISSION LINE CIRCUIT	D	Jumper tightening work	12-Mar-2025	08:00	13-Mar-2025	16:00	2		

### Annex-I

Sr. No.	Name of Requesting Agency	Element Name	Element Type	Daily/ Continuous	Reason	Requested From Date	Requested From Time	Requested To Date	Requested To Time	No. of Days	Consent	Remarks
427	BSPTCL	132KV-CHANDAUTI (PMTL)-SONENAGAR (BH)-1	AC TRANSMISSION LINE CIRCUIT	D	Jumper tightening work	10-Mar-2025	08:00	11-Mar-2025	16:00	2		
428	BSPTCL	132KV-CHANDAUTI (PMTL)-CHANDAUTI (BH)-2	AC TRANSMISSION LINE CIRCUIT	D	Jumper tightening work	04-Mar-2025	08:00	05-Mar-2025	16:00	2		
429	BSPTCL	132KV-CHANDAUTI (PMTL)-CHANDAUTI (BH)-1	AC TRANSMISSION LINE CIRCUIT	D	Jumper tightening work	02-Mar-2025	08:00	03-Mar-2025	16:00	2		
431	BSPTCL	220KV-SAHARSA(PMTL)-KHAGARIA(NEW)-2	AC TRANSMISSION LINE CIRCUIT	D	Line maintenance work	06-Mar-2025	08:00	08-Mar-2025	16:00	3		
432	BSPTCL	220KV-SAHARSA(PMTL)-KHAGARIA(NEW)-1	AC TRANSMISSION LINE CIRCUIT	D	Line maintenance work	06-Mar-2025	08:00	08-Mar-2025	16:00	3		
433	BSPTCL	220KV-SAHARSA(PMTL)-BEGUSARAI-2	AC TRANSMISSION LINE CIRCUIT	C	For C&R replacement work	21-Mar-2025	08:00	30-Mar-2025	18:00	10		
434	BSPTCL	220KV-SAHARSA(PMTL)-BEGUSARAI-1	AC TRANSMISSION LINE CIRCUIT	C	For C&R replacement work	11-Mar-2025	08:00	20-Mar-2025	18:00	10		
435	BSPTCL	132KV-SURAJPURA-RAMNAGAR-1	AC TRANSMISSION LINE CIRCUIT	D	Line maintenance work	05-Mar-2025	08:00	10-Mar-2025	16:00	6	NLDC	
436	BSPTCL	132KV-ARRAH-JAGDISHPUR-1	AC TRANSMISSION LINE CIRCUIT	D	Line maintenance work	07-Mar-2025	08:00	07-Mar-2025	16:00	1		
437	BSPTCL	132KV-ARRAH-JAGDISHPUR-2	AC TRANSMISSION LINE CIRCUIT	D	Line maintenance work	07-Mar-2025	08:00	07-Mar-2025	16:00	1		
438	BSPTCL	132KV-DUMRAON -ARRAH (PG)-1	AC TRANSMISSION LINE CIRCUIT	D	Line maintenance work	03-Mar-2025	09:00	04-Mar-2025	16:00	2		
439	BSPTCL	132KV-CHANDAUTI (PMTL)-CHANDAUTI (BH)-1	AC TRANSMISSION LINE CIRCUIT	D	Winter maintenance of main bus.	02-Mar-2025	11:00	02-Mar-2025	13:00	1		
440	BSPTCL	132KV-CHANDAUTI (PMTL)-CHANDAUTI (BH)-2	AC TRANSMISSION LINE CIRCUIT	D	Winter maintenance of main bus.	02-Mar-2025	11:00	02-Mar-2025	13:00	1		
462	JUSNL	400KV-NEW RANCHI-PATRATU-2	AC TRANSMISSION LINE CIRCUIT	D	For preventive maintenance.	24-Mar-2025	10:00	26-Mar-2025	17:00	3		
463	JUSNL	400KV-NEW RANCHI-PATRATU-1	AC TRANSMISSION LINE CIRCUIT	D	For preventive maintenance.	21-Mar-2025	10:00	23-Mar-2025	17:00	3		
464	JUSNL	400KV/220KV 315 MVA ICT 1 AT PATRATU	TRANSFORMER	D	For preventive maintenance.	20-Mar-2025	10:00	20-Mar-2025	17:00	1		
465	JUSNL	400KV MAIN BUS - 2 AT PATRATU	BUS	D	For schedule preventive maintenance.	19-Mar-2025	10:00	19-Mar-2025	17:00	1		
466	JUSNL	400KV MAIN BUS - 1 AT PATRATU	BUS	D	Schedule preventive maintenance.	18-Mar-2025	10:00	18-Mar-2025	17:00	1		
467	JUSNL	132KV-NABINAGAR-NAGARUNTARI-1	AC TRANSMISSION LINE CIRCUIT	C	For re-sagging in between loc. no. 374-392.	09-Mar-2025	09:00	15-Mar-2025	17:00	7	BSPTCL	
468	JUSNL	132KV-NABINAGAR-NAGARUNTARI-1	AC TRANSMISSION LINE CIRCUIT	C	For re-sagging work in between loc. no. 313-331.	01-Mar-2025	09:00	07-Mar-2025	17:00	7	BSPTCL	
469	JUSNL	132KV-RIHAND-GARWAH-1	AC TRANSMISSION LINE CIRCUIT	C	For re-sagging work in between loc. no. 374-392.	09-Mar-2025	09:00	15-Mar-2025	17:00	7	NLDC	
470	JUSNL	132KV-RIHAND-GARWAH-1	AC TRANSMISSION LINE CIRCUIT	C	For re-sagging work in between loc. no. 313-331.	01-Mar-2025	09:00	07-Mar-2025	17:00	7	NLDC	
15	GRIDCO	400KV-MEERAMUNDALI-JSPL-2	AC TRANSMISSION LINE CIRCUIT	D	Replacement of punctured insulator of the ckt.	17-Mar-2025	08:00	17-Mar-2025	16:00	1		

### Annex-I

Sr. No.	Name of Requesting Agency	Element Name	Element Type	Daily/ Continuous	Reason	Requested From Date	Requested From Time	Requested To Date	Requested To Time	No. of Days	Consent	Remarks
16	GRIDCO	400KV-MEERAMUNDALI-JSPL-2	AC TRANSMISSION LINE CIRCUIT	D	Replacement of puncture insulators of the ckt.	10-Mar-2025	08:00	13-Mar-2025	16:00	4		
17	GRIDCO	400KV-MEERAMUNDALI-JSPL-1	AC TRANSMISSION LINE CIRCUIT	D	Replacement of puncture insulators of the ckt.	03-Mar-2025	08:00	07-Mar-2025	16:00	5		
18	GRIDCO	400KV-NEW DUBURI-MEERAMUNDALI-2	AC TRANSMISSION LINE CIRCUIT	D	Rectification of B-ph LA installation & earth pit resistance measurement work	25-Mar-2025	08:00	25-Mar-2025	17:00	1		
19	GRIDCO	400KV-MEERAMUNDALI-MENDHASAL-1	AC TRANSMISSION LINE CIRCUIT	D	Rectification of B-ph LA installation & earth pit resistance measurement work	12-Mar-2025	08:00	12-Mar-2025	17:00	1		
20	GRIDCO	400KV/220KV 315 MVA ICT 2 AT MEERAMUNDALI	TRANSFORMER	D	Rectification of B-Ph LA installation on 220kV side & earth pit resistance measurement work	11-Mar-2025	08:00	11-Mar-2025	17:00	1		
21	GRIDCO	400KV/220KV 315 MVA ICT 2 AT NEW DUBURI	TRANSFORMER	D	Painting & arresting oil leakage of the ICT	06-Mar-2025	08:00	08-Mar-2025	17:00	3		
22	GRIDCO	400KV/220KV 315 MVA ICT 1 AT NEW DUBURI	TRANSFORMER	D	Painting & arresting oil leakage of the ICT	03-Mar-2025	08:00	05-Mar-2025	17:00	3		
23	GRIDCO	400KV/220KV 315 MVA ICT 2 AT TSL KALINGANAGAR	TRANSFORMER	C	RTV coating work	10-Mar-2025	06:00	14-Mar-2025	18:00	5		
24	GRIDCO	400KV/220KV 315 MVA ICT 1 AT TSL KALINGANAGAR	TRANSFORMER	C	RTV coating work	08-Mar-2025	06:00	08-Mar-2025	18:00	1		
25	GRIDCO	400KV-NEW DUBURI-TSL-1	AC TRANSMISSION LINE CIRCUIT	C	Bay pass jumpering job at TSL end.	05-Mar-2025	06:00	05-Mar-2025	18:00	1		
26	GRIDCO	400KV-NEW DUBURI-MEERAMUNDALI-2	AC TRANSMISSION LINE CIRCUIT	D	Annual maintenance work of the line	12-Mar-2025	08:00	12-Mar-2025	18:00	1		
27	GRIDCO	400KV-NEW DUBURI-MEERAMUNDALI-1	AC TRANSMISSION LINE CIRCUIT	D	Annual maintenance work of the line	11-Mar-2025	08:00	11-Mar-2025	17:00	1		
28	GRIDCO	132KV-BARIPADA(PG)-BANGIRIPOSHI-2	AC TRANSMISSION LINE CIRCUIT	D	Trimming of tree branches at different tower locations of line	10-Mar-2025	09:00	10-Mar-2025	15:00	1		
29	GRIDCO	220KV-JAMSHEDPUR-JINDAL-1	AC TRANSMISSION LINE CIRCUIT	D	Replacement of line isolator on JSPL-Jamshedpur transmission line and bus maintenance activities at JSPL switchyard END	11-Mar-2025	08:00	11-Mar-2025	17:00	1		

### Annex-I

Sr. No.	Name of Requesting Agency	Element Name	Element Type	Daily/ Continuous	Reason	Requested From Date	Requested From Time	Requested To Date	Requested To Time	No. of Days	Consent	Remarks
30	GRIDCO	220KV-JODA-JINDAL-1	AC TRANSMISSION LINE CIRCUIT	D	Replacement of line isolator on JSPL-Jamshedpur transmission line and bus maintenance activities at JSPL switchyard END	11-Mar-2025	08:00	11-Mar-2025	17:00	1	DVC	approved
471	GRIDCO	220KV-BUDHIPADAR-RAIGARH-1	AC TRANSMISSION LINE CIRCUIT	D	Trimming of tree branches from location no.106 to 109	19-Mar-2025	08:00	19-Mar-2025	17:00	1	NLDC	
472	GRIDCO	220KV-BUDHIPADAR-KORBA-1	AC TRANSMISSION LINE CIRCUIT	D	Trimming of tree branches from location no.65 to 71	18-Mar-2025	08:00	18-Mar-2025	17:00	1	NLDC	approved
454	BARH	80MVAR 400KV B/R-1 AT BARH	BUS REACTOR	C	For Annual Maint and Testing works	10-Mar-2025	08:00	11-Mar-2025	18:00	2		
455	BARH	400KV/132KV 200 MVA ICT 2 AT BARH	TRANSFORMER	C	For 400KV Bay maint and ICT - 2Cooler Bank maint Work	03-Mar-2025	08:00	05-Mar-2025	18:00	3		
292	INDIGRID	400KV-KHARAGPUR-CHAIBASA-2	AC TRANSMISSION LINE CIRCUIT	D	AMP work. Mass man power mobilization	26-Mar-2025	08:00	26-Mar-2025	16:00	1	WB	
293	INDIGRID	400KV-KHARAGPUR-CHAIBASA-1	AC TRANSMISSION LINE CIRCUIT	D	AMP work. Mass man power mobilization	25-Mar-2025	08:00	25-Mar-2025	16:00	1	WB	
473	INDIGRID	400KV-NEW PPSP-NEW RANCHI-2	AC TRANSMISSION LINE CIRCUIT	D	For AMP Work.	18-Mar-2025	08:00	18-Mar-2025	16:00	1	WB	
474	INDIGRID	400KV-NEW PPSP-NEW RANCHI-1	AC TRANSMISSION LINE CIRCUIT	D	For AMP Work.	17-Mar-2025	08:00	17-Mar-2025	16:00	1	WB	
481	INDIGRID	400KV-BINAGURI-ALIPURDUAR (PG)-2	AC TRANSMISSION LINE CIRCUIT	D	S/D required to rectify critical deficiencies, including missing Quad Spacers, Grading Rings, Clamps, Bolts & Nuts, C.C Rings, Jumper Cones, Arcing Horns, and displaced Rigid Spacer Caps. Additionally, conductor strand cuts pose significant risks to structural integrity and safety, requiring immediate corrective action.	05-Mar-2025	08:00	05-Mar-2025	16:00	1		approved
482	INDIGRID	400KV-BINAGURI-ALIPURDUAR (PG)-1	AC TRANSMISSION LINE CIRCUIT	D	S/D required to rectify critical deficiencies, including missing Quad Spacers, Grading Rings, Clamps, Bolts & Nuts, C.C Rings, Jumper Cones, Arcing Horns, and displaced Rigid Spacer Caps. Additionally, conductor strand cuts pose significant risks to structural integrity and safety, requiring immediate corrective action.	04-Mar-2025	08:00	04-Mar-2025	16:00	1		approved

### Annex-I

Sr. No.	Name of Requesting Agency	Element Name	Element Type	Daily/ Continuous	Reason	Requested From Date	Requested From Time	Requested To Date	Requested To Time	No. of Days	Consent	Remarks
483	INDIGRID	400KV-ALIPURDUAR (PG)-BONGAIGAON-2	AC TRANSMISSION LINE CIRCUIT	D	S/D required to rectify critical deficiencies, including missing Quad Spacers, Grading Rings, Clamps, Bolts & Nuts, C.C Rings, Jumper Cones, Arcing Horns, and displaced Rigid Spacer Caps. Additionally, conductor strand cuts pose significant risks to structural integrity and safety, requiring immediate corrective action.	02-Mar-2025	08:00	02-Mar-2025	16:00	1	NLDC	approved
484	INDIGRID	400KV-ALIPURDUAR (PG)-BONGAIGAON-1	AC TRANSMISSION LINE CIRCUIT	D	S/D required to rectify critical deficiencies, including missing Quad Spacers, Grading Rings, Clamps, Bolts & Nuts, C.C Rings, Jumper Cones, Arcing Horns, and displaced Rigid Spacer Caps. Additionally, conductor strand cuts pose significant risks to structural integrity and safety, requiring immediate corrective action.	01-Mar-2025	08:00	01-Mar-2025	16:00	1	NLDC	approved
52	PMTL	220KV/132KV 200 MVA ICT 3 AT CHANDAUTI (PMTL)	TRANSFORMER	D	FOR AMP WORK	10-Mar-2025	09:00	10-Mar-2025	17:30	1	BSPTCL	
53	PMTL	220KV/132KV 200 MVA ICT 2 AT CHANDAUTI (PMTL)	TRANSFORMER	D	FOR AMP WORK	08-Mar-2025	09:00	08-Mar-2025	17:30	1	BSPTCL	
54	PMTL	400KV/220KV 500 MVA ICT 3 AT CHANDAUTI (PMTL)	TRANSFORMER	D	FOR AMP WORK	06-Mar-2025	09:00	06-Mar-2025	17:30	1	BSPTCL	
55	PMTL	400KV/220KV 500 MVA ICT 2 AT CHANDAUTI (PMTL)	TRANSFORMER	D	FOR AMP WORK	05-Mar-2025	09:00	05-Mar-2025	17:30	1	BSPTCL	
56	PMTL	400KV/220KV 500 MVA ICT 1 AT CHANDAUTI (PMTL)	TRANSFORMER	D	FOR AMP WORK	04-Mar-2025	09:00	04-Mar-2025	17:30	1	BSPTCL	
57	PMTL	220KV/132KV 200 MVA ICT 1 AT SAHARSA	TRANSFORMER	D	To attained CT Oil leakage	04-Mar-2025	09:00	04-Mar-2025	17:30	1	BSPTCL	
58	PMTL	220KV/132KV 200 MVA ICT 2 AT SAHARSA	TRANSFORMER	D	To attained CT Oil leakage	03-Mar-2025	09:00	03-Mar-2025	17:30	1	BSPTCL	
60	PMTL	220KV/132KV 200 MVA ICT 1 AT CHANDAUTI (PMTL)	TRANSFORMER	D	AMP Work	07-Mar-2025	09:00	07-Mar-2025	17:00	1	BSPTCL	
62	PMTL	400KV/220KV 500 MVA ICT 1 AT SAHARSA	TRANSFORMER	D	To attained CT Oil leakage in 210 bay	07-Mar-2025	09:00	07-Mar-2025	17:00	1	BSPTCL	
63	PMTL	125MVAR 400KV B/R-2 AT CHANDAUTI (PMTL)	BUS REACTOR	D	FOR AMP WORK	11-Mar-2025	09:00	11-Mar-2025	17:00	1		
64	PMTL	125MVAR 400KV B/R-1 AT CHANDAUTI (PMTL)	BUS REACTOR	D	FOR AMP WORK	03-Mar-2025	09:00	03-Mar-2025	17:00	1		
67	PMTL	CHANDAUTI - 400KV - BUS 2	BUS	D	AMP Work	31-Mar-2025	08:00	31-Mar-2025	17:00	1	BSPTCL	
68	PMTL	CHANDAUTI - 400KV - BUS 1	BUS	D	AMP Work	29-Mar-2025	08:00	29-Mar-2025	17:00	1	BSPTCL	

**Annex-I**

Sr. No.	Name of Requesting Agency	Element Name	Element Type	Daily/ Continuous	Reason	Requested From Date	Requested From Time	Requested To Date	Requested To Time	No. of Days	Consent	Remarks
69	PMTL	CHANDAUTI (PMTL) - 220KV - BUS 1	BUS	D	AMP Work	28-Mar-2025	08:00	28-Mar-2025	17:00	1	BSPTCL	
70	PMTL	132KV MAIN BUS - 1 AT CHANDAUTI (PMTL)	BUS	D	AMP Work	01-Mar-2025	09:00	01-Mar-2025	17:00	1	BSPTCL	
72	PMTL	220KV BUS COUPLER BAY AT SAHARSA	Bay	D	To attained CT Oil leakage in 209 Bus coupler bay	06-Mar-2025	09:00	06-Mar-2025	17:00	1		
73	PMTL	400KV TIE BAY OF ( 125MVAR 400KV B/R-1 AND 400KV--DARBHANGA (DMTCL)-1) AT SITAMARHI	Bay	D	AMP of bay 411	25-Mar-2025	09:00	25-Mar-2025	17:30	1		
74	PMTL	400KV MAIN BAY OF BR 1 AT SITAMARHI	Bay	D	AMP of bay 412	22-Mar-2025	09:00	22-Mar-2025	17:30	1		
75	PMTL	220KV BUS COUPLER BAY AT CHANDAUTI (PMTL)	Bay	D	FOR AMP WORK	20-Mar-2025	09:00	20-Mar-2025	17:30	1		
76	PMTL	400KV TIE BAY OF ( 125MVAR 400KV B/R-2 AND 400KV--MOTIHARI-1) AT SITAMARHI	Bay	D	AMP of bay 405	18-Mar-2025	09:00	18-Mar-2025	17:30	1		
77	PMTL	400KV MAIN BAY OF DARBHANGA (DMTCL)-2 AT SITAMARHI	Bay	D	AMP Work	17-Mar-2025	09:00	17-Mar-2025	17:30	1		
78	PMTL	400KV MAIN BAY OF MOTIHARI-1 AT SITAMARHI	Bay	D	AMP Work	10-Mar-2025	09:00	10-Mar-2025	17:30	1		
79	PMTL	220KV MAIN BAY OF 400KV/220KV 500 MVA ICT 1 AT SITAMARHI	Bay	D	AMP Work	03-Mar-2025	09:00	03-Mar-2025	17:30	1		
80	PMTL	220KV TRANSFER BUS COUPLER BAY AT CHANDAUTI (PMTL)	Bay	D	AMP Work	22-Mar-2025	09:00	22-Mar-2025	18:00	1		
85	PMTL	220KV MAIN BAY OF 400KV/220KV 500 MVA ICT 2 AT SITAMARHI	Bay	D	AMP Work	08-Mar-2025	09:00	08-Mar-2025	18:00	1		
87	PMTL	400KV-CHANDAUTI (PMTL)-NABINAGAR (NPGC)-2	AC TRANSMISSION LINE CIRCUIT	D	FOR AMP WORK	27-Mar-2025	09:00	27-Mar-2025	17:30	1	NPGC	
88	PMTL	400KV-CHANDAUTI (PMTL)-NABINAGAR (NPGC)-1	AC TRANSMISSION LINE CIRCUIT	D	FOR AMP WORK	26-Mar-2025	09:00	26-Mar-2025	17:30	1	NPGC	
89	PMTL	400KV-CHANDAUTI (PMTL)-GAYA-2	AC TRANSMISSION LINE CIRCUIT	D	FOR AMP WORK	25-Mar-2025	09:00	25-Mar-2025	17:30	1	BSPTCL	
90	PMTL	400KV-CHANDAUTI (PMTL)-GAYA-1	AC TRANSMISSION LINE CIRCUIT	D	FOR AMP WORK	24-Mar-2025	09:00	24-Mar-2025	17:30	1	BSPTCL	
91	PMTL	220KV-CHANDAUTI (PMTL)-BODHGAYA-2	AC TRANSMISSION LINE CIRCUIT	D	FOR AMP WORK	21-Mar-2025	09:00	21-Mar-2025	17:30	1	BSPTCL	
92	PMTL	220KV-CHANDAUTI (PMTL)-BODHGAYA-1	AC TRANSMISSION LINE CIRCUIT	D	FOR AMP WORK	19-Mar-2025	09:00	19-Mar-2025	17:30	1	BSPTCL	
93	PMTL	220KV-CHANDAUTI (PMTL)-SONENAGAR-2	AC TRANSMISSION LINE CIRCUIT	D	FOR AMP WORK	18-Mar-2025	09:00	18-Mar-2025	17:30	1	BSPTCL	
94	PMTL	220KV-CHANDAUTI (PMTL)-SONENAGAR-1	AC TRANSMISSION LINE CIRCUIT	D	FOR AMP WORK	17-Mar-2025	09:00	17-Mar-2025	17:30	1	BSPTCL	
95	PMTL	220KV-SAHARSA(PMTL)-BEGUSARAI-1	AC TRANSMISSION LINE CIRCUIT	D	To attain CT oil leakage	10-Mar-2025	09:00	10-Mar-2025	17:30	1	BSPTCL	
96	PMTL	220KV-SAHARSA(PMTL)-KHAGARIA(NEW)-1	AC TRANSMISSION LINE CIRCUIT	D	To attain CT Oil leakage in 220 KV 212 BAY	08-Mar-2025	09:00	08-Mar-2025	17:30	1	BSPTCL	
97	PMTL	220KV-SITAMARHI-RAXAUL(NEW)-2	AC TRANSMISSION LINE CIRCUIT	D	AMP Work	06-Mar-2025	09:00	06-Mar-2025	17:30	1	BSPTCL	
98	PMTL	220KV-SITAMARHI-RAXAUL(NEW)-1	AC TRANSMISSION LINE CIRCUIT	D	AMP Work	05-Mar-2025	09:00	05-Mar-2025	17:30	1	BSPTCL	

### Annex-I

Sr. No.	Name of Requesting Agency	Element Name	Element Type	Daily/ Continuous	Reason	Requested From Date	Requested From Time	Requested To Date	Requested To Time	No. of Days	Consent	Remarks
452	PMTL	400KV/132KV 315 MVA ICT 3 AT MOTIHARI (DMTCL)	TRANSFORMER	D	AMP Work	01-Mar-2025	08:00	01-Mar-2025	18:00	1	BSPTCL	
493	NKTL	400KV-DHANBAD-MAITHON RB-2	AC TRANSMISSION LINE CIRCUIT	D	Annual Maintenance	27-Mar-2025	09:00	27-Mar-2025	16:00	1		
494	NKTL	400KV-DHANBAD-MAITHON RB-1	AC TRANSMISSION LINE CIRCUIT	D	Annual Maintenance	20-Mar-2025	09:00	20-Mar-2025	16:00	1		
495	NKTL	125MVAR 400KV B/R-2 AT DHANBAD	BUS REACTOR	D	Annual Maintenance	24-Mar-2025	09:00	24-Mar-2025	17:00	1		
496	NKTL	125MVAR 400KV B/R-1 AT DHANBAD	BUS REACTOR	D	Annual Maintenance	18-Mar-2025	09:00	18-Mar-2025	17:00	1		
497	NKTL	220KV MAIN BAY OF GOVINDPUR -2 AT DHANBAD (NKTL)	Bay	D	Line Isolator Maintenance	17-Mar-2025	10:00	17-Mar-2025	14:00	1		
9	TSTPP	220KV-TTPS-TSTPP-1	AC TRANSMISSION LINE CIRCUIT	C	AMP jobs & tree cutting	27-Mar-2025	08:00	28-Mar-2025	18:00	2	GRIDCO	
475	DMTCL	125MVAR 400KV B/R-2 AT MOTIHARI	BUS REACTOR	D	AMP Work	08-Mar-2025	08:00	08-Mar-2025	18:00	1		
476	DMTCL	125MVAR 400KV B/R-1 AT MOTIHARI	BUS REACTOR	D	AMP Work	07-Mar-2025	08:00	07-Mar-2025	18:00	1		
477	DMTCL	400KV/132KV 200 MVA ICT 2 AT MOTIHARI (DMTCL)	TRANSFORMER	D	AMP Work	06-Mar-2025	08:00	06-Mar-2025	18:00	1	BSPTCL	
478	DMTCL	400KV/132KV 200 MVA ICT 1 AT MOTIHARI (DMTCL)	TRANSFORMER	D	AMP Work	05-Mar-2025	08:00	05-Mar-2025	18:00	1	BSPTCL	
479	DMTCL	400KV-GORAKHPUR-MOTIHARI-2	AC TRANSMISSION LINE CIRCUIT	D	AMP Work	04-Mar-2025	08:00	04-Mar-2025	18:00	1	NLDC	
480	DMTCL	400KV-GORAKHPUR-MOTIHARI-1	AC TRANSMISSION LINE CIRCUIT	D	AMP Work	03-Mar-2025	08:00	03-Mar-2025	18:00	1	NLDC	
498	DMTCL	125MVAR 400KV B/R-1 AT MOTIHARI	BUS REACTOR	D	For Annual Maintenance work	27-Feb-2025	08:00	27-Feb-2025	16:00	1	ERLDC	Approved
499	DMTCL	125MVAR 400KV B/R-2 AT MOTIHARI	BUS REACTOR	D	For Annual Maintenance work	28-Feb-2025	08:00	28-Feb-2025	16:00	1	ERLDC	Approved
500	DMTCL	132KV-MOTIHARI (DMTCL)-RAXAUL-1	AC Transmission Line Circuit	D	For Annual Maintenance work	27-Feb-2025	08:00	27-Feb-2025	16:00	1	BSPTCL	Approved Subject to Consent from NLDC & Nepal
501	DMTCL	132KV-MOTIHARI (DMTCL)-RAXAUL-2	AC Transmission Line Circuit	D	For Annual Maintenance work	28-Feb-2025	08:00	28-Feb-2025	16:00	1	BSPTCL	Approved Subject to Consent from NLDC & Nepal
502	ER - I	132kV Transfer Bus Coupler Bay (105) at Daltonganj(PG)	BAY	D	AMP WORK	06-Mar-2025	09:00	06-Mar-2025	17:30	1	ERLDC	approved
503	ER - I	220kV Transfer Bus Coupler Bay (209) at Daltonganj(PG)	BAY	D	AMP WORK	04-Mar-2025	09:00	04-Mar-2025	17:30	1	ERLDC	approved
508	ER - I	A/R OF 400 KV RANCHI-DHANBAD CKT-1	Auto Recloser	D	Non-auto mode required for live line PID Testing under Ranchi and Maithon TLM	01-Mar-2025	09:00	31-Mar-2025	17:30	31	ERLDC	approved
509	ER - I	A/R OF 400 KV RANCHI-DHANBAD CKT-2	Auto Recloser	D	Non-auto mode required for live line PID Testing under Ranchi and Maithon TLM	01-Mar-2025	09:00	31-Mar-2025	17:30	31	ERLDC	approved

### Annex-I

Sr. No.	Name of Requesting Agency	Element Name	Element Type	Daily/ Continuous	Reason	Requested From Date	Requested From Time	Requested To Date	Requested To Time	No. of Days	Consent	Remarks
510	ER - I	A/R OF 400 KV MAITHON(RB)-DHANBAD CKT-1	Auto Recloser	D	Non-auto mode required for live line PID Testing under Maithon TLM	01-Mar-2025	09:00	31-Mar-2025	17:30	31	ERLDC	approved
511	ER - I	A/R OF 400 KV MAITHON(RB)-DHANBAD CKT-2	Auto Recloser	D	Non-auto mode required for live line PID Testing under Maithon TLM	01-Mar-2025	09:00	31-Mar-2025	17:30	31	ERLDC	approved
512	ER - I	A/R OF 400 KV RANCHI-SIPAT CKT-1	Auto Recloser	D	Non-auto mode required for live line PID Testing	01-Mar-2025	09:00	31-Mar-2025	17:30	31	ERLDC	approved
513	ER - I	A/R OF 400 KV RANCHI-SIPAT CKT-2	Auto Recloser	D	Non-auto mode required for live line PID Testing	01-Mar-2025	09:00	31-Mar-2025	17:30	31	ERLDC	approved
514	ER - I	A/R OF 400 KV BOKARO-KODERMA CKT-1	Auto Recloser	D	Non-auto mode required for live line PID Testing	01-Mar-2025	09:00	31-Mar-2025	17:30	31	ERLDC	approved
515	ER - I	A/R OF 400 KV BOKARO-KODERMA CKT-2	Auto Recloser	D	Non-auto mode required for live line PID Testing	01-Mar-2025	09:00	31-Mar-2025	17:30	31	ERLDC	approved
3	NRTS	132KV-KARAMNASHA-SAHUPURI-1	AC TRANSMISSION LINE CIRCUIT	C	* Lilo of 132kv sahpuri karmnasa line at 132kv s/s chandauli as per >X agreement no 243ETC-(V)T-46/2022-23 date28.03.2023	03-Mar-2025	08:00	08-Mar-2025	18:00	6	NLDC/BSPTCL	
4	NRTS	132KV-KARAMNASHA-SAHUPURI-1	AC TRANSMISSION LINE CIRCUIT	C	* DFCC DIVERSION/HEIGHT RAISING WORK	10-Mar-2025	08:00	17-Mar-2025	18:00	8	NLDC/BSPTCL	
5	NRTS	220KV-KARAMNASHA (NEW)-SAHUPURI-1	AC TRANSMISSION LINE CIRCUIT	C	DFCC DIVERSION/HEIGHT RAISING WORK	20-Mar-2025	08:00	27-Mar-2025	18:00	8	NLDC/BSPTCL	
6	NRTS	400KV-MUZAFFARPUR(PG)-GORAKHPUR-1	AC TRANSMISSION LINE CIRCUIT	D	GIS Bay extension work erection work at Gorakhpur.	18-Mar-2025	08:00	18-Mar-2025	16:00	1	NLDC	
7	NRTS	400KV-PATNA-BALIA-3	AC TRANSMISSION LINE CIRCUIT	D	AMP WORK	01-Mar-2025	09:00	01-Mar-2025	16:00	1	NLDC	
516	PG (ODISHA P	Angul	765 KV Main Bay of Angul-Jharsuguda ckt 4 (720 BAY)	D	Tightness of drive mechanism (nuts & bolts tightness) by OEM/ABB service engineer.	21.03.2024	09:00	21.03.2024	17:00	1		approved
517	PG (ODISHA P	Jharsuguda	765KV/400KV 1500 MVA ICT 3 AT JHARSUGUDA(GIS)	D	Spare Rotation	03.03.2024	09:00	03.03.2024	14:00	1		approved
518	PG (ODISHA P	Jharsuguda	LR of 765kV Jharsuguda-Raipur ckt-1	D	Relay Testing, firmware upgration and voltage selection modification	18.03.2024	09:00	18.03.2024	17:00	1		approved
519	PG (ODISHA P	Rourkela	Main Bay of 400kV Rourkela-Chaibasa-2	C	Bay Upgradation (Bus splitting activity)	12.03.2024	09:00	15.03.2024	19:00	1		approved



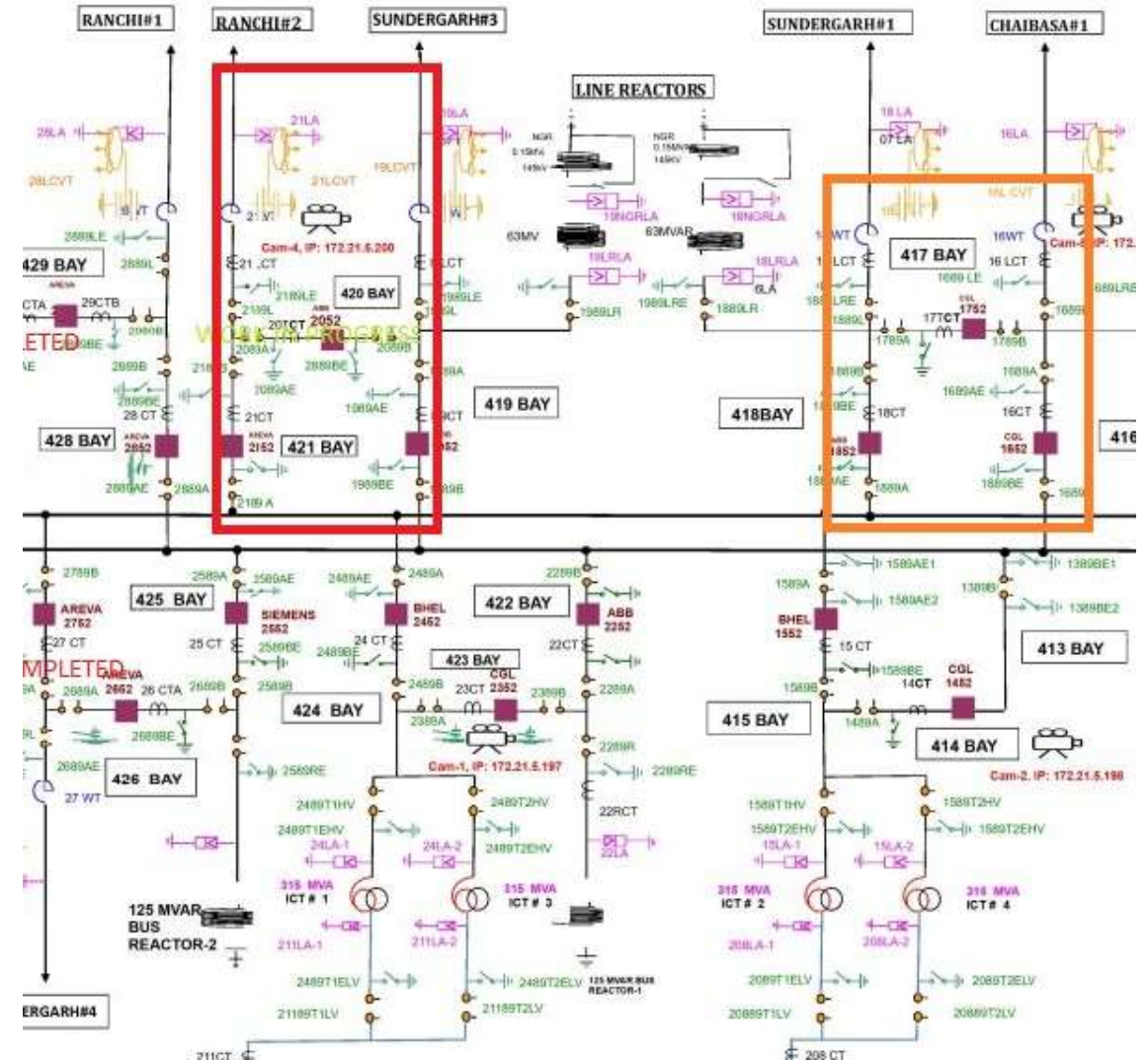
पावर ग्रिड कॉर्पोरेशन ऑफ इंडिया लिमिटेड  
(भारत सरकार का उद्यम)  
**POWER GRID CORPORATION OF INDIA LIMITED**  
(A Government of India Enterprise)

## **Presentation on Shutdown Requirements at Rourkela SS for completion of Bay upgradation works and Reconductoring work**

**224th OCC Shutdown -for the month of March-2025**

# Progress of Bay upgradation works

- RKL-JSG circuit -IV Dia(427,428 and 425) completed on dated -24.12.2024
- RKL-JSG circuit -II Dia(430,429 and 428 ) completed on dated -18.01.2025
- RKL-JSG circuit -III Dia( 419,420 & 421) -Expected date of completion of Commissioning activities - **28.02.2025**
- 
- RKL-JSG circuit -I Dia( 418,417 & 416) -Expected date of completion of Commissioning activities - **25.03.2025**



# Progress of **Reconductoring Activity**

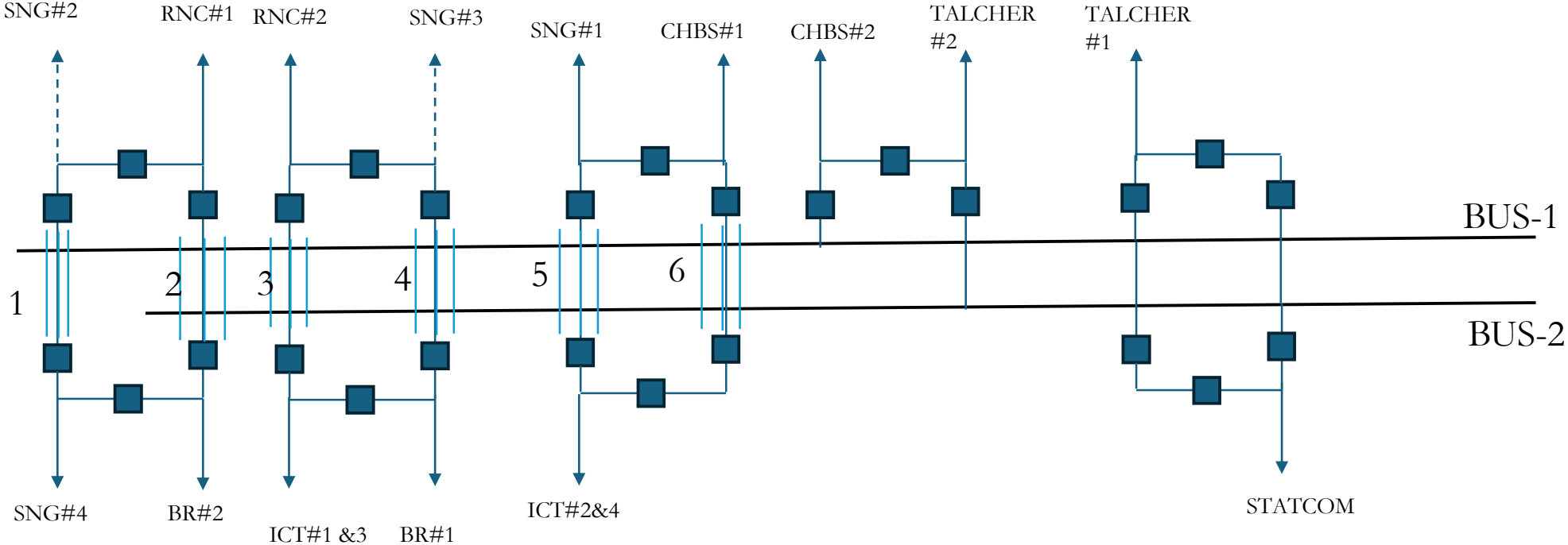
## Pending Reconductoring Activities

- **400 kV Rourkela – Jharsuguda Circuit –I - completed**
  - **400 kV Rourkela – Jharsuguda Circuit –III - 122.193/129.829 CKM(28.02.2025)**
  - **400 kV Rourkela – Jharsuguda Circuit –II - 65.331/144.696 CKM**
  - **400 kV Rourkela – Jharsuguda Circuit –IV - 122.789/126.082 CKM(22.02.25)**
-

# BUS Shutdown for Jumper Removal & Stability of the Bay (418 & 416)

Sr. No	Name of Requesting Agency	Element Name	Element Type	Daily/ Continuous	Reason	Requested From Date	Requested From Time	Requested To Date	Requested To Time	Requester Remarks	
295	PG (ODISHA PROJECT)	400KV MAIN BUS - 1 AT ROURKELA			Removal of Jumper of 400 kV Sundargarh #1 Bus Side ISO(41889A)	04-Mar-2025	09:00	04-Mar-2025	13:00	Bay Upgradation work under OH02 package	
291	PG (ODISHA PROJECT)	400KV MAIN BUS - 1 AT ROURKELA				Connection of Jumper of 400 kV Sundargarh #1 Bus Side ISO(41889A)	19-Mar-2025	09:00	19-Mar-2025	13:00	Bay Upgradation work under OH02 package
122	PG (ODISHA PROJECT)	400KV MAIN BUS - 1 AT ROURKELA				Stability Test	25-Mar-2025	09:00	25-Mar-2025	18:00	Bay Upgradation work under OH02 package
294	PG (ODISHA PROJECT)	400KV MAIN BUS - 2 AT ROURKELA				Removal of Jumper of 400 kV Chaibasa #1 Bus Side ISO(41689B)	05-Mar-2025	09:00	05-Mar-2025	13:00	Bay Upgradation work under OH02 package
290	PG (ODISHA PROJECT)	400KV MAIN BUS - 2 AT ROURKELA		BUS	D	Connection of Jumper of 400 kV Chaibasa #1 Bus Side ISO(41689B)	20-Mar-2025	09:00	20-Mar-2025	13:00	Bay Upgradation work under OH02 package
121	PG (ODISHA PROJECT)	400KV MAIN BUS - 2 AT ROURKELA		BUS	D	Stability Test	26-Mar-2025	09:00	26-Mar-2025	18:00	Bay Upgradation work under OH02 package

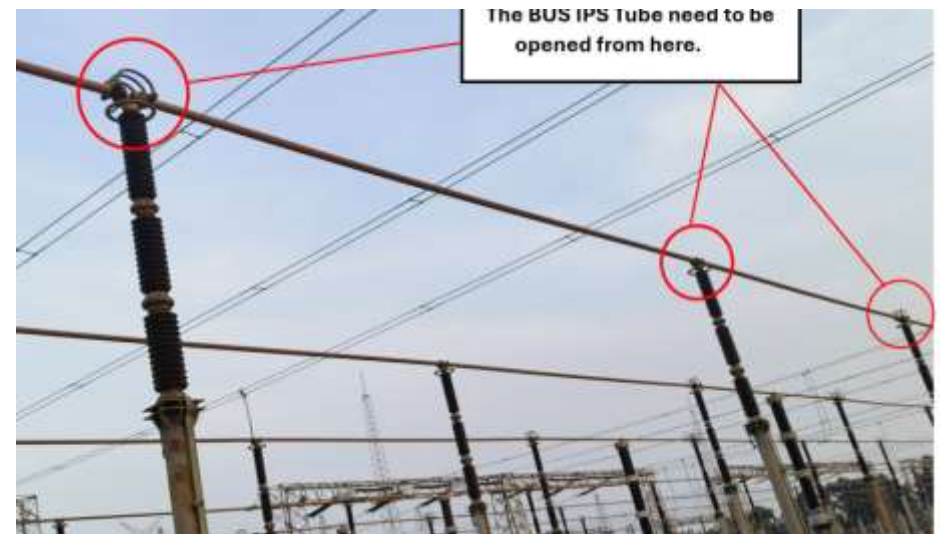
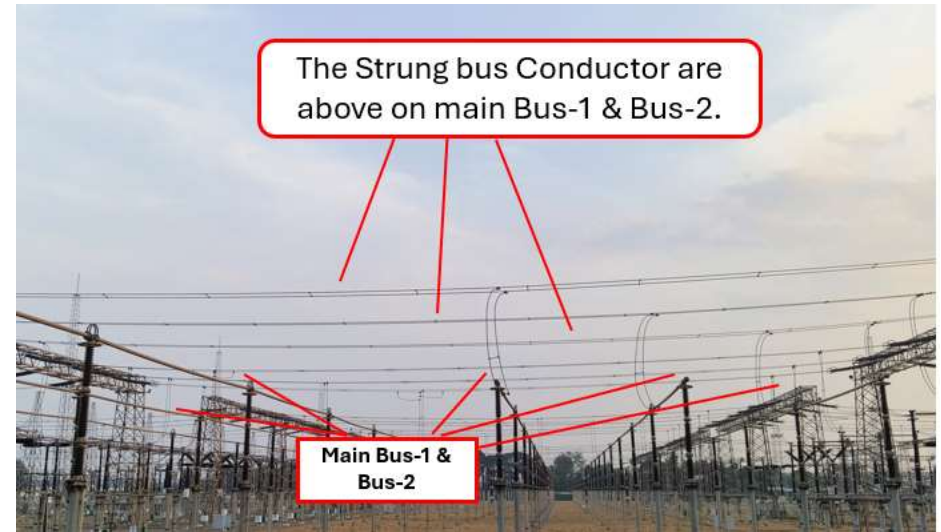
# BUS ARRANGEMENT 400/220 KV ROURKELA SS



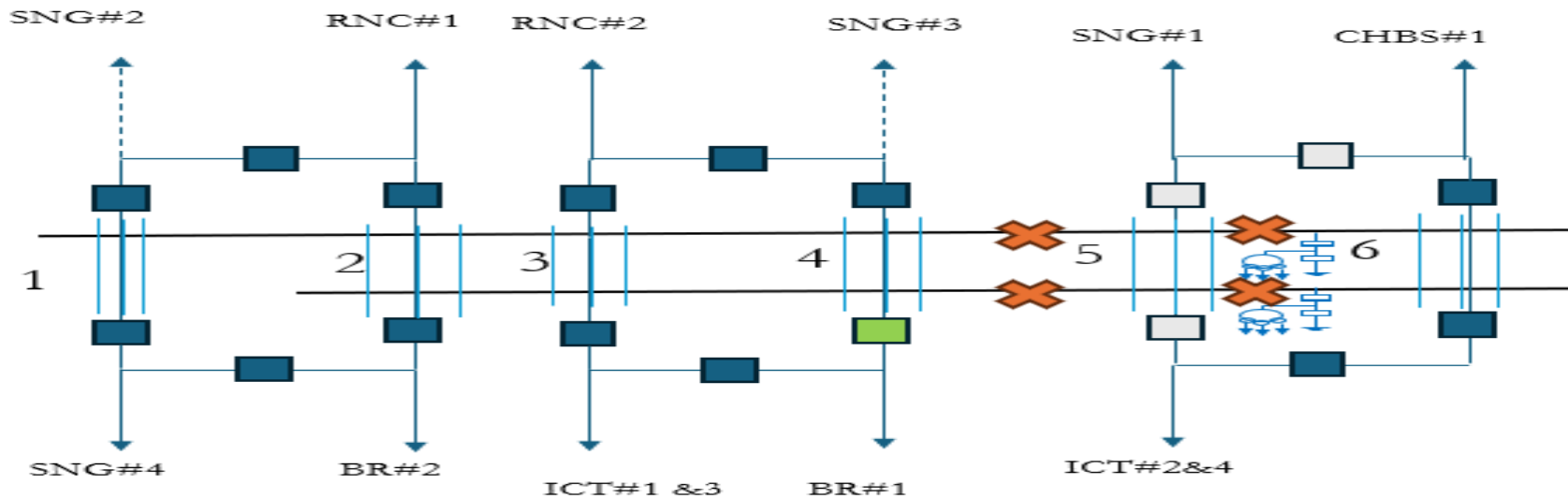
||| STRUNG BUS Over Main Bus-1 &2  
**STRUNG BUSES-1,2,3,4,5,6**  
**STRUNG BUSES-1,2,3,4 COMPLETED**

# The Strung bus Conductor are above on Main Bus-1 & Bus-2.

- The Strung bus Conductor need to be upgraded to high current carrying conductor.
- All 6 IPS tubes of Bus-1 & Bus-2 are to be opened from their expansion joints.
- Upon removing IPS tubes, Bus-1 & Bus-2 will be separated and divided into two parts
- After that leaving the working area of Bus-1 & Bus-2 remaining bus will be charged

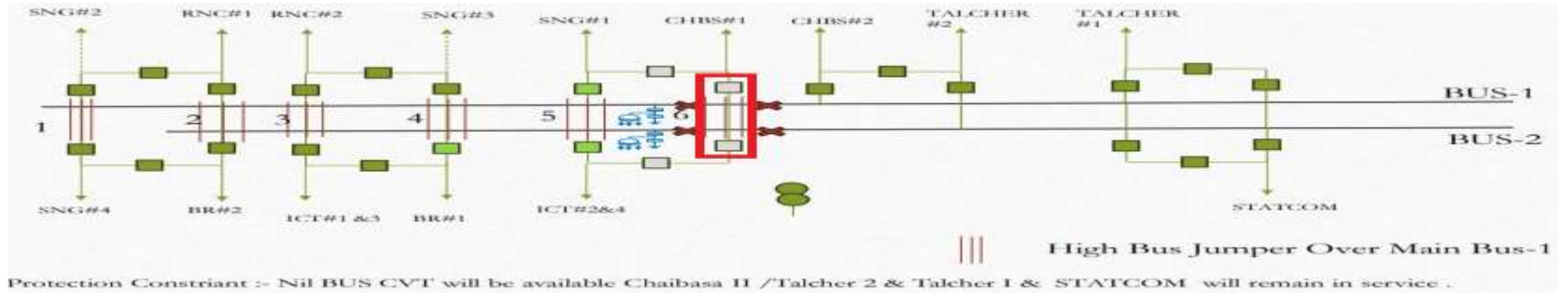


# Shutdown Requirement for strung Bus No-05 Erection



Sr. No	Name of Requesting Agency	Element Name	Element Type	Daily/ Continous	Reason	Requested From Date	Requested From Time	Requested To Date	Requested To Time	Requester Remarks	No. of Days
289	PG (ODISHA PROJECT)	400KV MAIN BUS - 1 AT ROURKELA	BUS	D	Bus Split work for erection of strung bus(5) over bus 1 and bus 2	07-Mar-2025	08:00	07-Mar-2025	13:00	AMP	1
287	PG (ODISHA PROJECT)	400KV MAIN BUS - 1 AT ROURKELA	BUS	D	Restoration of Bus Split work	11-Mar-2025	08:00	11-Mar-2025	13:00	Bay Upgradation work under OH02 package	1
288	PG (ODISHA PROJECT)	400KV MAIN BUS - 2 AT ROURKELA	BUS	D	Bus Split work for erection of strung bus(5) over bus 1 and bus 2	07-Mar-2025	14:00	07-Mar-2025	19:00	Bay Upgradation work under OH02 package	1
286	PG (ODISHA PROJECT)	400KV MAIN BUS - 2 AT ROURKELA	BUS	D	Restoration of Bus Split work	11-Mar-2025	14:00	11-Mar-2025	19:00	Bay Upgradation work under OH02 package	1

# Shutdown Requirement for strung Bus No-06 Erection






Sr. No	Name of Requesting Agency	Element Name	Element Type	Daily/ Continous	Reason	Requested From Date	Requested From Time	Requested To Date	Requested To Time	Requester Remarks	No. of Days
285	PG (ODISHA PROJECT)	400KV MAIN BUS - 1 AT ROURKELA	BUS	D	Bus Split work for erection of strung bus(6) over bus 1 and bus 2	12-Mar-2025	08:00	12-Mar-2025	13:00	Bay Upgradation work under OH02 package	1
283	PG (ODISHA PROJECT)	400KV MAIN BUS - 1 AT ROURKELA	BUS	D	Restoration of Bus Split work	15-Mar-2025	08:00	15-Mar-2025	13:00	Bay Upgradation work under OH02 package	1
284	PG (ODISHA PROJECT)	400KV MAIN BUS - 2 AT ROURKELA	BUS	D	Bus Split work for erection of strung bus(6) over bus 1 and bus 2	12-Mar-2025	14:00	12-Mar-2025	19:00	Bay Upgradation work under OH02 package	1
282	PG (ODISHA PROJECT)	400KV MAIN BUS - 2 AT ROURKELA	BUS	D	Restoration of Bus Split work	15-Mar-2025	14:00	15-Mar-2025	19:00	Bay Upgradation work under OH02 package	1

# Shutdown Requirement for Reconductoring Activities.

387	PG (ODISHA PROJECT)	400KV-JHARSUGUDA-ROURKELA-2	AC TRANSMISSION LINE CIRCUIT	C	Reconductoring of 400 KV ROURKELA-SUNDARGARH #2	01-Mar-2025	08:00	31-Mar-2025	18:00	Reconductoring work
430	PG (ODISHA PROJECT)	400KV-JHARSUGUDA-ROURKELA-3	AC TRANSMISSION LINE CIRCUIT	C	For Reconductoring work under Sundargarh & Rourkela TLM office jurisdiction	01-Mar-2025	07:00	31-Mar-2025	18:00	Reconductoring work
388	PG (ODISHA PROJECT)	400KV-RANCHI-ROURKELA-2	AC TRANSMISSION LINE CIRCUIT	C	Bay Upgradation Work on Main Bay(421) & Tie Bay(420) & REPLACEMENT OF STRUNG BUS OVER MAIN BAY and reconductoring in MC Tower 394 to 398	01-Mar-2025	08:00	15-Mar-2025	18:00	Bay Upgradation work under OH02 package
389	PG (ODISHA PROJECT)	400KV-ROURKELA-CHAIBASA-1	AC TRANSMISSION LINE CIRCUIT	C	Bay Upgradation Work on Main Bay(416) & Tie Bay(417) For Bay Upgradation & Strung Bus replacement over Main Bay of Chaibasa #1	01-Mar-2025	08:00	31-Mar-2025	18:00	Bay Upgradation work under OH02 package
390	PG (ODISHA PROJECT)	400KV-ROURKELA-JHARSUGUDA-1	AC TRANSMISSION LINE CIRCUIT	C	Bay Upgradation Work on Line Bay (418L),Main Bay(418) & Tie Bay(417)	01-Mar-2025	08:00	31-Mar-2025	18:00	Bay upgradation works OH02 package.
415	PG (ODISHA PROJECT)	400KV-ROURKELA-JHARSUGUDA-1	AC TRANSMISSION LINE CIRCUIT	D	For completion of CEA punch points of said line or defect rectifications for reconductoring works	21-Mar-2025	07:00	24-Mar-2025	18:00	Reconductoring work compliance
116	PG (ODISHA PROJECT)	400KV-ROURKELA-JHARSUGUDA-4	AC TRANSMISSION LINE CIRCUIT	C	For Reconductoring work under Sundargarh & Rourkela TLM office jurisdiction (On Continuous basis).	01-Mar-2025	08:00	31-Mar-2025	18:00	Reconductoring work
386	PG (ODISHA PROJECT)	400KV-ROURKELA-JHARSUGUDA-4	AC TRANSMISSION LINE CIRCUIT	C	Reconductoring of 400 KV ROURKELA-SUNDARGARH #4 and stringing between TN9 and TN10 (Power Line crossing)	01-Mar-2025	08:00	10-Mar-2025	18:00	Reconductoring work

# A/R Requirement – For reconductoring of Parallel Circuit

382	PG (ODISHA PROJECT)	A/R OF 400KV-JHARSUGUDA-ROURKELA-3	Auto Recloser	C	Bay Upgradation Work on Line Bay (418L),Main Bay(418) & Tie Bay(417)	01-Mar-2025	08:00	31-Mar-2025	18:00	Bay Upgradation work under OH02 package	31		Deleted
363	PG (ODISHA PROJECT)	A/R OF 400KV-RANCHI-ROURKELA-1	Auto Recloser	C	Bay Upgradation Work on Main Bay(421) & Tie Bay(420) & REPLACEMENT OF STRUNG BUS OVER MAIN BAY and reconductoring in MC Tower 394 to 398	01-Mar-2025	08:00	15-Mar-2025	18:00	Bay Upgradation work under OH02 package	15		
364	PG (ODISHA PROJECT)	A/R OF 400KV-ROURKELA-CHAIBASA-2	Auto Recloser	C	Bay Upgradation Work on Main Bay(416) & Tie Bay(417) For Bay Upgradation & Strung Bus replacement over Main Bay of Chaibasa #1	01-Mar-2025	08:00	31-Mar-2025	18:00	Bay upgradation works OH02 package.	31		Deleted
383	PG (ODISHA PROJECT)	A/R OF 400KV-ROURKELA-JHARSUGUDA-1	Auto Recloser	C	Reconductoring activity & Bay Upgradation Work on Line Bay (419L),Main Bay(419) & Tie Bay(420)	01-Mar-2025	08:00	15-Mar-2025	18:00	Reconductoring work	15		Deleted

# Additional OCC Shutdown required Approved in 224th OCC (for the month of MAR'25)

OCC_22 4	PG (ODISHA PROJECT)	Angul	765 KV Main Bay of Angul-Jharsuguda ckt 4 (720 BAY)	D	Tightness of drive mechanism (nuts & bolts tightness) by OEM/ABB service engineer.	21.03.2024	09:00	21.03.2024	17:00
OCC_22 4	PG (ODISHA PROJECT)	Jharsuguda	765KV/400KV 1500 MVA ICT 3 AT JHARSUGUDA(GIS)	D	Spare Rotation	03.03.2024	09:00	03.03.2024	14:00
OCC_22 4	PG (ODISHA PROJECT)	Jharsuguda	LR of 765kV Jharsuguda-Raipur ckt-1	D	Relay Testing, firmware upgration and voltage selection modification	18.03.2024	09:00	18.03.2024	17:00
OCC_22 4	PG (ODISHA PROJECT)	Rourkela	Main Bay of 400kV Rourkela-Chaibasa-2	C	Bay Upgradation (Bus splitting activity )	12.03.2024	09:00	15.03.2024	19:00

